

CZECH UP
YOUR BEER



PRODUCT CATALOGUE 1/ 2023 - 2024





CZECH UP YOUR BEER COOLING AND DISPENSING SYSTEMS

We are a leading manufacturer of cooling and dispensing equipment in Europe. We sell tens of thousands of pieces a year worldwide and in our home country, the Czech Republic. We can do all this in three production areas in the picturesque villages of Sadová and Dohalice, a few kilometers from a regional town, Hradec Králové. About 250 of us work here - in production, development and administration. We will invent, design, draw, build, pack and send all the equipment that we sell under our brand to you, our customers. You will find us in pubs and restaurants, companies, but also in your home or garden.

WE ARE LINDR.

30 YEARS

Market experience

450

Standard products

250

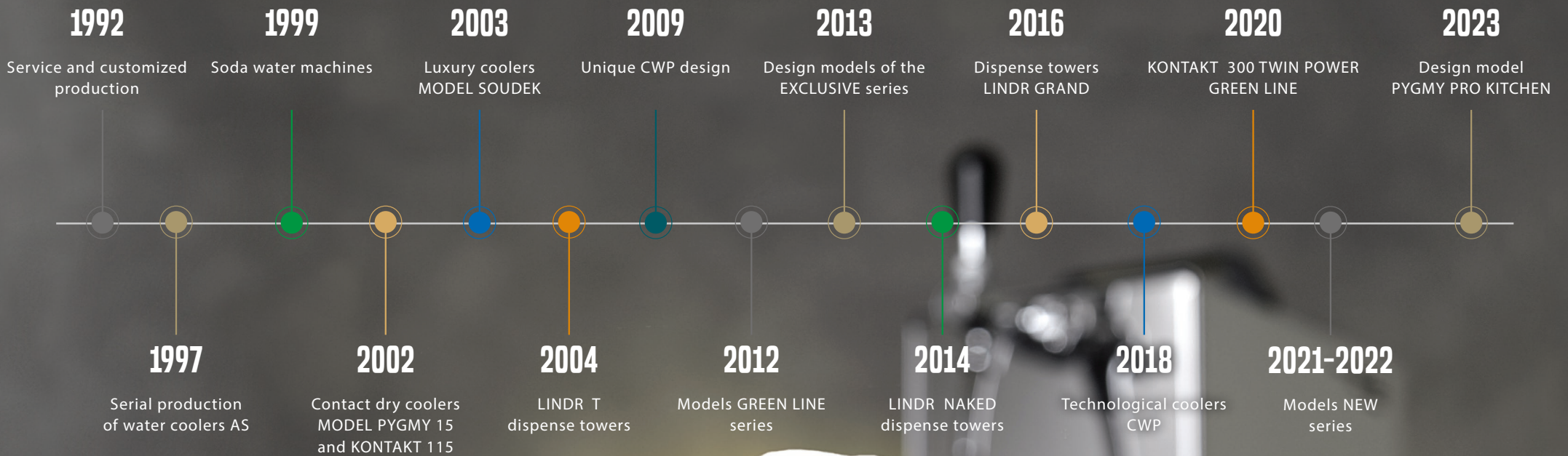
Permanent staff

500 000

No. of products produced in 30 years

WE ARE SYNONYMOUS FOR COOLING AND DISPENSING.





Our production program includes a wide range of cooling and dispensing equipment. We sell them both at home, in the Czech Republic and in more than hundred countries around the world. However, we still remain true to the vision of a family company with purely Czech capital, which paves the way with its own original products that are unique both in terms of technical parameters and unmistakable design.

CATALOGUE 2023 - 2024



Let us introduce the LINDR product catalogue for 2023 – 2024. This year we have produced new products for you from contact, luxurious, AS and CWP series to soda makers.

The major innovation of this year is cooler PYGMY PRO KITCHEN, newest representative of our luxury coolers.

This is a built-in cooler that perfectly fits your household. The vision of a built-in cooler is the beginning of the idea of how to enter your modern kitchen, which originated in the head of the company's founder, Miloš Lindr.

PYGMY PRO KITCHEN pushes the boundaries of the luxury of having beer on tap in the kitchen, main advantages comprise an unique design, quiet operation, clear and elegant control panel and the proven TUBE tap tower.

EXPLANATORY NOTES TO SYMBOLS
IN THE CATALOGUE:

-  NEW - new addition to the assortment
-  INNOVATION - change in product specifications



PYGMY PRO KITCHEN

34-39



AS-80 NEW GL

53-55



CWP 200 NEW GL

75-77



SODA EXCLUSIVE NEW GL

102-103



SODA KONTAKT 70 GL

105-106



EXTERNAL CARBONATOR 200L NEW GL

109-110

DISPENSING EQUIPMENT CONTACT



QUALITY INNOVATION PERFORMANCE DESIGN

The flagship line of our production. Portable cooling dispensing equipment suitable for cooling and dispensing (not only) a beer in households, at garden parties, in bars or at the festivals. <https://www.lindr.cz/en/how-to-choose-a-cooler>

Portable and powerful. Two words that can best describe the coolers of the PYGMY NEW GREEN LINE series



PYGMY NEW SERIES

The flagship line of our beer cooler production. Portable cooling system that is suitable for cooling and dispensing (not only) beer in households, at garden parties, corporate celebrations or in smaller bars. The mark NEW in the title means that it is an innovated version of the cooler, which is certified according to the latest safety and hygiene standards (Czech and European).



INNOVATION & DESIGN

All PYGMY NEW GREEN LINE coolers are certified according to the latest safety and hygiene standards for all European markets.



^ PYGMY 35/K PROFI NEW GREEN LINE

KEG PRESSURISATION – MODEL PYGMY 35/K PROFI is equipped with a unique system of a built-in, silent, high-quality air compressor fitted with a noise dampener and a molecule filter for incoming air. Cooler is equipped with pressure regulation 1,0-3,6 bar and pressure gauge.

WELL READABLE MANOMETER - Displays the set air pressure in Bars.

| BENEFITS AND USEFUL FEATURES

INNOVATION – All our contact coolers are constantly evolving and meet all the latest safety standards and certifications (Czech and European).

PERFORMANCE – The PYGMY series dispensing machines, with their increased continuous output, enable the continuous serving of high-quality chilled beverages in quantities corresponding to their numbering in liters.

GREEN LINE – LINDR GREEN LINE technology is environmentally friendly thanks to the use of eco-friendly refrigerant R-290. Thanks to this design, each product achieves 20 % higher energy efficiency and 20 % lower energy consumption. We have introduced an energy saving system in the production.

COOLING SPEED - The unique design of the cooling block with a perfectly tuned circuit guarantees not only the cooling of the beverage within a few minutes of switching on, but also the maintenance of a constant temperature if several beverages are dispensed in a short time.

BEVERAGE VOLUME IN THE COOLING BLOCK - A characteristic feature of our coolers is the large volume of beverage in the cooling block. Even the smallest models in the PYGMY series have a minimum of 0.5 l. The uniform inner diameter of the cooling coil (7 mm) from the dispense head to the tap guarantees cleanliness and optimal beverage flow.

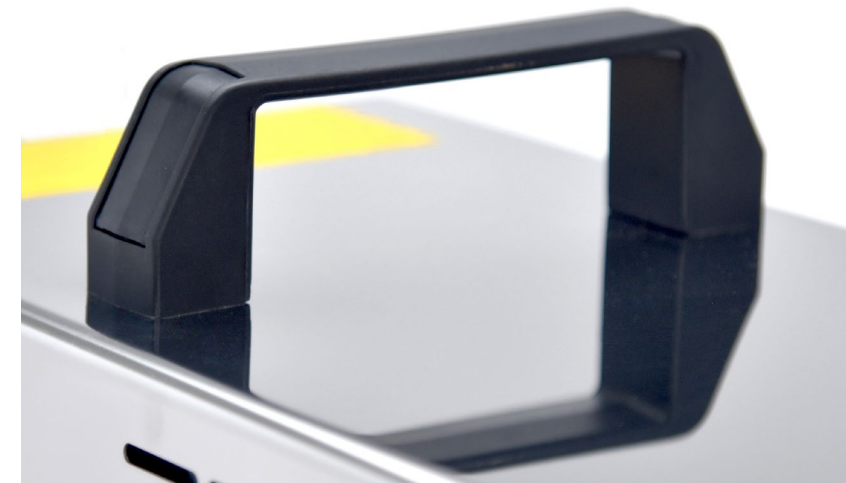
AIR FILTER - Because the quality of the dispensed beverage comes first for us, all our dispensing machines with a built-in air compressor are equipped with a molecular filter for incoming air.

EQUIPMENT – The standard supplied part is a thermostat enabling continuous and precise regulation of the beverage temperature, a tap, a tap wrench, a drip tray and speed fittings for easy connection.

UNIVERSAL USE – The dispensing machine can also be used in combination with a dispense tower.

STAINLESS STEEL STRUCTURE – The complete structure and cooling coils are made of stainless steel. The materials used meet the highest requirements of hygienic standards and guarantee a long life.

OVERALL COMPACTNESS – PYGMY portable coolers have the best ratio of performance, size and price on the market.



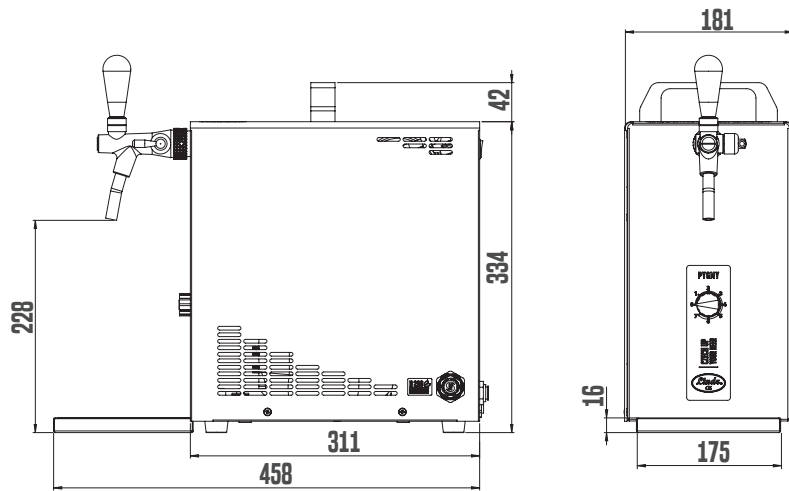
^ PYGMY NEW GREEN LINE SERIES

EASY TO CARRY – Easy and safe handling thanks to the small dimensions of this dispensing machine and the handle, which is located on its upper part.

∨ **EASY CONNECTION** – Each machine is equipped with speed fitting for easy connection of tubes.



PYGMY 20/K, 25, 25/K NEW GREEN LINE 



PYGMY 35/K PROFI NEW GREEN LINE 



TECHNICAL PARAMETERS

PRODUCT MODEL	PY6MY 20/K NEW GL	PY6MY 25 NEW GL	PY6MY 25/K NEW GL	PY6MY 35/K PROFI NEW GL
COOLING POWER OF THE COMPRESSOR (HP)	1/8	1/8	1/8	1/8
COOLING POWER OF THE COMPRESSOR (W)	280	280	280	310
MAXIMUM COOLING CAPACITY TO 0 °C / TK 45 °C (L/HOUR)	25	35	35	40
CONTINUOUS COOLING PERFORMANCE (L/HOUR)	20	25	25	35
THERMAL GRADIENT ΔT (°C)	10	10	10	10
AIR COMPRESSOR (BAR)	YES	NO	YES	YES
AIR COMPRESSOR PRESSURE (BAR)	AUTOMATIC 2,8-3,2	-	AUTOMATIC 2,8-3,2	REGULATION 1,0-3,6
NUMBER OF TAPS (PCS)	1	1	1	1
NUMBER OF COOLED BEVERAGES (PCS)	1	1	1	1
LENGTH OF COOLING COILS (M)	1X10,5	1X11,5	1X11,5	1X16,5
DIAMETER OF COOLING COIL (MM)	7X8	7X8	7X8	7X8
POWER (W)	322	299	368	368
AMPERAGE (A)	1,40	1,30	1,60	1,60
NET WEIGHT (KG)	16,5	15,0	17,0	20,0
REFRIGERANT TYPE	R290	R290	R290	R290
VOLTAGE (V)	220-240V 50HZ~1	220-240V 50HZ~1	220-240V 50HZ~1	220-240V 50HZ~1
BEVERAGE CONNECTION (FITTINGS)	9,5MM (3/8")	9,5MM (3/8")	9,5MM (3/8")	9,5MM (3/8")
AIR CONNECTION (FITTINGS)	8MM (5/16")	-	8MM (5/16")	8MM (5/16")
CUSTOMIZED OPTIONS				
CHOICE OF TAP	YES	YES	YES	YES
BEVERAGE CONNECTION - STAINLESS STEEL SCREWING	YES	YES	YES	YES
AIR CONNECTION - STAINLESS STEEL SCREWING	YES	NO	YES	YES
POWER CABLE PLUG	YES	YES	YES	YES

LIMITED EDITION

LIMITED EDITION

Limited Edition means a new design. We have preserved the original technical advantages and only changed the appearance.

The PYGMY 25/K LIMITED EDITION NEW GL dispensing machine differs from Pygmy series coolers with a high-quality waterproof and abrasion-resistant sticker that underlines the cooler's original appearance and Lindr design.

The PYGMY 25/K LIMITED EDITION NEW GL dispensing machine is a top product among small portable coolers. It has everything that makes it the star of every celebration, garden party or just sitting with friends - compact size (with built-in compressor) and adequate performance. Thanks to all this, you can enjoy professionally chilled, draft and served beer or any other beverage in your home environment. The NEW mark is carried by coolers innovated according to the latest Czech and European safety and hygiene standards.



- ^ PYGMY 25/K LIMITED EDITION NEW GREEN LINE ORIGINAL LOOK - A high-quality waterproof and abrasion-resistant sticker underlines the cooler's original look and Lindr design.
- < < PYGMY 25/K LIMITED EDITION NEW GREEN LINE TEMPERATURE CONTROL – The standard supplied part is a thermostat enabling continuous and precise regulation of the beverage temperature.
- < EASY CONNECTION – Each machine is equipped with speed fitting for easy connection of tubes.



KONTAKT 40 NEW SERIES

We used the best of other coolers for the KONTAKT NEW GREEN LINE model - the compactness and optimal dimensions of the PYGMY series and the performance with the technologies of large professional restaurant and pub coolers. Thanks to this, we can offer a cooler that can easily handle smaller restaurant operations and at the same time meet the most demanding requirements for home cooling, dispensing and serving quality chilled beer and other beverages. You can use the model with two taps to dispense two independent beverages, with one tap model you will benefit from double the length of the cooling coil. The KONTAKT model line includes the most popular professional coolers with this performance. The NEW designation in the name means that this is an innovated version of the cooler, which is certified according to the latest safety and hygiene standards (Czech and European).



COMPACT & POWERFUL

Our most popular coolers in foreign markets. This is how the KONTAKT model line, which offers professional cooling solutions in compact dimensions, can be characterized.



- ^ KONTAKT 40/K PROFI NEW GREEN LINE
KEG PRESSURISATION – MODEL KONTAKT 40/Kprofi NEW is equipped with a unique system of a built-in, silent, high-quality air compressor fitted with a noise dampener and a molecule filter for incoming air. Cooler is equipped with pressure regulation 1-3,6 bar and pressure gauge. WELL READABLE MANOMETER - Displays the set air pressure in Bars.

| BENEFITS AND USEFUL FEATURES

INNOVATION - All our contact coolers are constantly evolving and meet all the latest safety standards and certifications (Czech and European).

PERFORMANCE - The KONTAKT NEW GREEN LINE dispensing machines, with their increased continuous output, enable the continuous serving of high-quality chilled beverages in quantities corresponding to their numerical designation in liters.

NUMBER OF TAPS - Coolers can be supplied with one or two taps.

GREEN LINE - LINDR GREEN LINE technology is environmentally friendly thanks to the use of eco-friendly refrigerant R-290. Thanks to this design, each product achieves 20 % higher energy efficiency and 20 % lower energy consumption. We have introduced an energy saving system in the production.

BEVERAGE VOLUME IN THE COOLING BLOCK - A characteristic feature of our coolers is the large volume of beverage in the cooling block. Models in the KONTAKT series have 1,2 l. The uniform inner diameter of the cooling coil (7 mm) from the dispense head to the tap guarantees cleanliness and optimal beverage flow.

AIR FILTER - Because the quality of the dispensed beverage comes first for us, all our dispensing machines come with a built-in air compressor with a molecular filter.

EQUIPMENT - Thermostat enabling continuous and precise regulation of the beverage temperature, tap (s), tap wrench, drip tray and speed fittings for easy connection.

UNIVERSAL USE - This dispensing machine can also be used in combination with a dispense tower.

STAINLESS STEEL STRUCTURE - The complete structure and cooling coil are made of stainless steel. The materials used meet the highest requirements of hygienic standards and guarantee a long life.

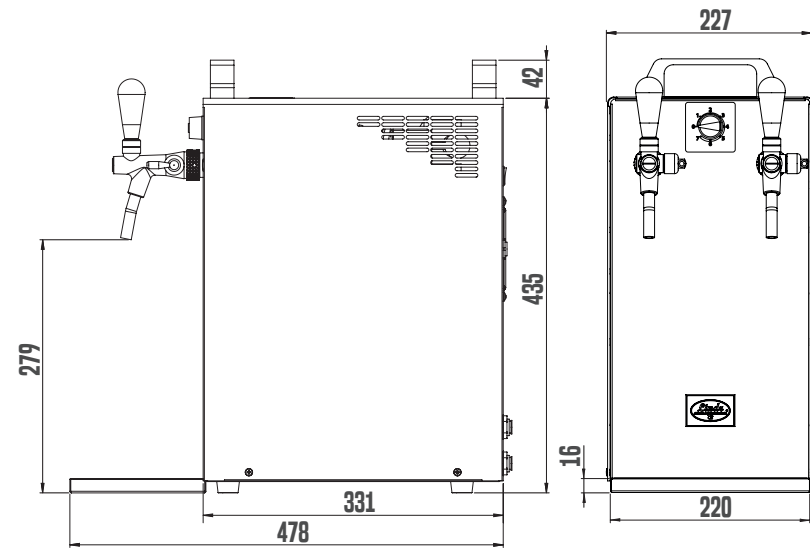
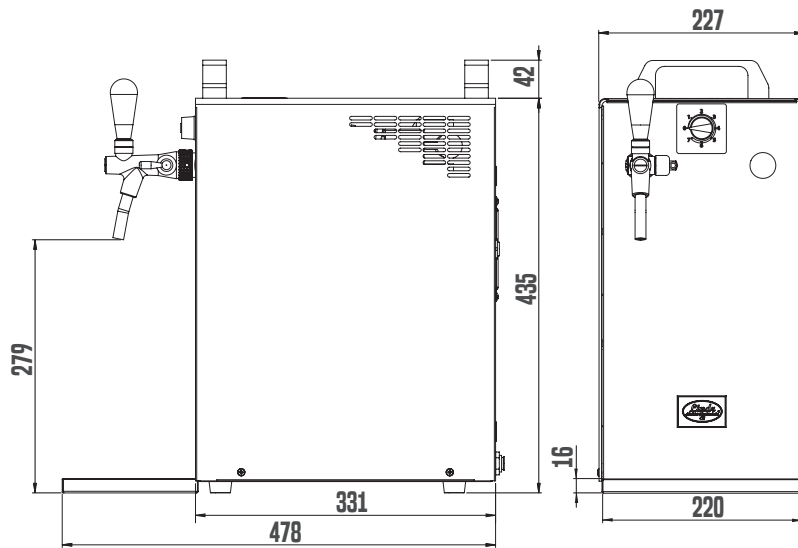
OVERALL COMPACTNESS - KONTAKT series coolers have the best ratio of performance, dimensions and price on the market. The overall robustness of this model leaves no one in doubt that this cooler can deal with the company of several dozen thirsty people.



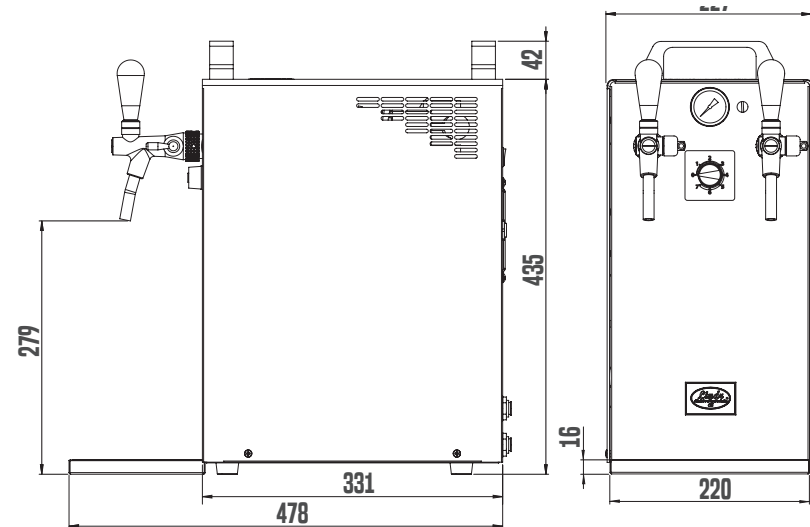
- ^ KONTAKT 40 NEW GREEN LINE series
NUMBER OF TAPS - This model can be supplied with two taps or a single tap and a longer cooling coil.
- √ EASY TO CARRY - Easy and safe handling thanks to the small dimensions of the machine and the handles which are located on its upper part.



KONTAKT 40, 40/K NEW GREEN LINE  1X TAP



KONTAKT 40/K PROFI NEW GREEN LINE



^ KONTAKT 40/K LIMITED EDITION NEW GREEN LINE
Coolers of LIMITED EDITION series have a new and elegant look together with proven technical parameters like output, cooling speed and overall compactness.

TECHNICAL PARAMETERS

PRODUCT MODEL	KONTAKT 40 NEW 1X TAP GL	KONTAKT 40/K NEW 1X TAP GL	KONTAKT 40 NEW GL	KONTAKT 40/K NEW GL	KONTAKT 40/K PROFI NEW GL
COOLING POWER OF THE COMPRESSOR (HP)	1/5	1/5	1/5	1/5	1/5
COOLING POWER OF THE COMPRESSOR (W)	510	510	510	510	510
MAXIMUM COOLING CAPACITY TO 0 °C / TK 45 °C (L/HOUR)	50	50	50	50	50
CONTINUOUS COOLING PERFORMANCE (L/HOUR)	40	40	40	40	40
THERMAL GRADIENT ΔT (°C)	10	10	10	10	10
AIR COMPRESSOR (BAR)	NO	YES	NO	YES	YES
AIR COMPRESSOR PRESSURE (BAR)	-	AUTOMATIC 2,8-3,2	-	AUTOMATIC 2,8-3,2	REGULATION 1,0-3,6
NUMBER OF TAPS (PCS)	1	1	2	2	2
NUMBER OF COOLED BEVERAGES (PCS)	1	1	2	2	2
LENGTH OF COOLING COILS (M)	1X28,0	1X28,0	2X14,0	2X14,0	2X14,0
DIAMETER OF COOLING COIL (MM)	7X8	7X8	7X8	7X8	7X8
POWER (W)	322	391	322	391	391
AMPERAGE (A)	1,40	1,70	1,40	1,70	1,70
NET WEIGHT (KG)	25,5	29,0	25,5	29,0	30,0
REFRIGERANT TYPE	R290	R290	R290	R290	R290
VOLTAGE (V)	220-240V 50HZ~1	220-240V 50HZ~1	220-240V 50HZ~1	220-240V 50HZ~1	220-240V 50HZ~1
BEVERAGE CONNECTION (FITTINGS)	9,5MM (3/8")	9,5MM (3/8")	9,5MM (3/8")	9,5MM (3/8")	9,5MM (3/8")
AIR CONNECTION (FITTINGS)	-	8MM (5/16")	-	8MM (5/16")	8MM (5/16")
CUSTOMIZED OPTIONS					
CHOICE OF TAP	YES	YES	YES	YES	YES
BEVERAGE CONNECTION - STAINLESS STEEL SCREWING	YES	YES	YES	YES	YES
AIR CONNECTION - STAINLESS STEEL SCREWING	NO	YES	NO	YES	YES
POWER CABLE PLUG	YES	YES	YES	YES	YES

Do you really need a lot of power hidden in a compact portable cooler?



KONTAKT 70 NEW SERIES

Then reach for the KONTAKT 70 NEW GREEN LINE dispensing machine and you can't make a mistake. Serving up to 180 perfectly chilled beers per hour will not disappoint you even in larger restaurants, bars, smaller festivals or outdoor pop-up mobile bars. The version with two taps allows the cooler to be used for two independent beverages. The KONTAKT model line includes the most popular professional coolers with this performance. The designation NEW in the name means that this is an innovated version of the cooler, which is certified according to the latest safety and hygiene standards (Czech and European).



< < KONTAKT 70/K NEW GREEN LINE

AIR COMPRESSOR - The models are equipped with a high quality built-in air compressor, which, thanks to its quiet operation, is also suitable for more intimate events without disturbing the surrounding atmosphere.

< KONTAKT 70/K NEW GREEN LINE 1x TAP

NUMBER OF TAPS - A characteristic feature of our coolers is the large volume of beverage in the cooling block. Models in the Kontakt 70 series have 1,2 l inside. Maximum length of cooling coil is 14 metres for each of the tap and inner diameter of the cooling coil of 7 mm from the dispense head to the tap guarantees optimal beverage flow. Single tap model has cooling coil of 28 metres.

| BENEFITS AND USEFUL FEATURES

INNOVATION - All our contact coolers are constantly evolving and meet all the latest safety standards and certifications (Czech and European).

PERFORMANCE - KONTAKT 70 NEW GREEN LINE dispensing equipment with its increased continuous output of 70-90 l/hour allows the serving of about 140-180 perfectly chilled beverages in one hour.

NUMBER OF TAPS - This model can be supplied with two taps or a single tap and a longer cooling coil.

GREEN LINE - LINDR GREEN LINE technology is environmentally friendly thanks to the use of eco-friendly refrigerant R-290. Thanks to this design, each product achieves 20 % higher energy efficiency and 20 % lower energy consumption.

We have introduced an energy saving system in the production.

BEVERAGE VOLUME IN THE COOLING BLOCK - A characteristic feature of our coolers is the large volume of beverage in the cooling block. Models in the Kontakt 70 series have 1,2 l. The uniform inner diameter of the cooling coil (7 mm) from the dispense head to the tap guarantees cleanliness and optimal beverage flow.

EQUIPMENT - Thermostat enabling continuous and precise regulation of the beverage temperature, tap (s), tap wrench, drip tray and speed fittings for easy connection.

UNIVERSAL USE - This dispensing machine can also be used in combination with a dispense tower.

STAINLESS STEEL STRUCTURE - The complete structure and cooling coil are made of stainless steel. The materials used meet the highest requirements of hygienic standards and guarantee a long life.

OVERALL COMPACTNESS - KONTAKT series coolers have the best ratio of performance, dimensions and price on the market.

The overall robustness of this model leaves no one in doubt that this cooler can deal with the company of several dozen thirsty people.



^ Řada KONTAKT 70 NEW GREEN LINE

EASY TO CARRY - Easy and safe handling thanks to the small dimensions of the machine and the handles which are located on its upper part.

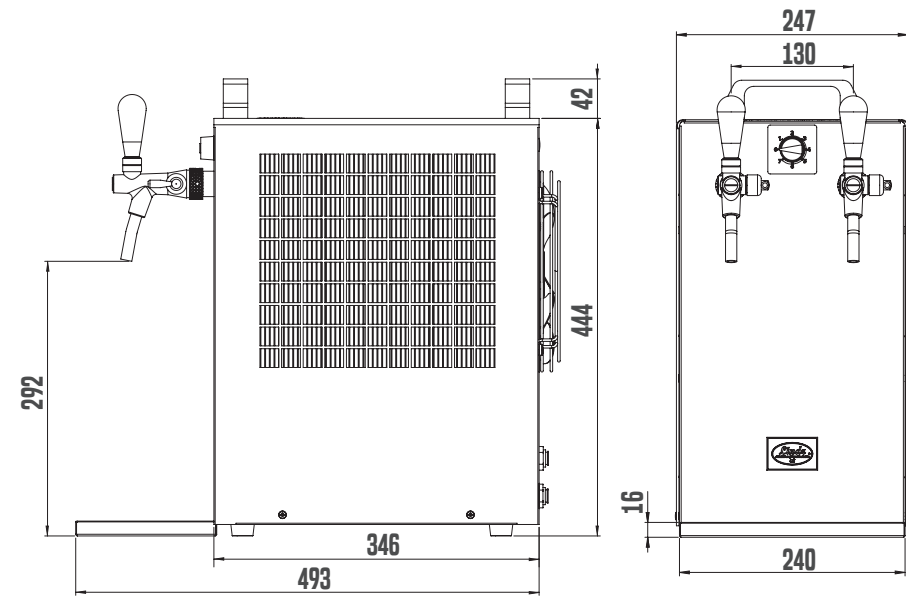
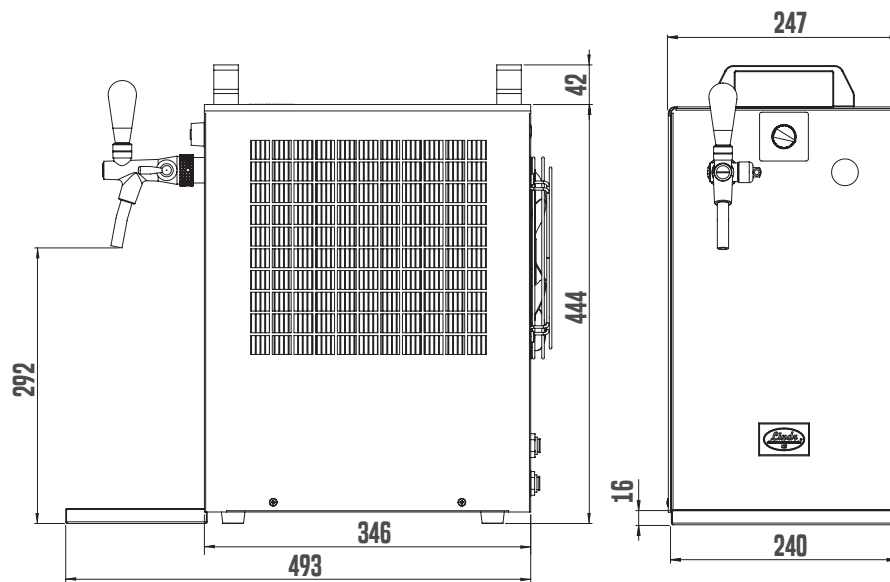
∨ **EASY CONNECTION** - Each dispensing machine is equipped with a speed fittings for easy connection of tubes.



KONTAKT 70/K NEW GREEN LINE  1X TAP



KONTAKT 70, 70/K NEW GREEN LINE 



TECHNICAL PARAMETERS

PRODUCT MODEL	KONTAKT 70/K NEW 1X TAP GL	KONTAKT 70 NEW GL	KONTAKT 70/K NEW GL
COOLING POWER OF THE COMPRESSOR (HP)	1/3	1/3	1/3
COOLING POWER OF THE COMPRESSOR (W)	860	860	860
MAXIMUM COOLING CAPACITY TO 0 °C / TK 45 °C (L/HOUR)	90	90	90
CONTINUOUS COOLING PERFORMANCE (L/HOUR)	70	70	70
THERMAL GRADIENT ΔT (°C)	10	10	10
AIR COMPRESSOR (BAR)	YES	NO	YES
AIR COMPRESSOR PRESSURE (BAR)	AUTOMATIC 2,8-3,2	-	AUTOMATIC 2,8-3,2
NUMBER OF TAPS (PCS)	1	2	2
NUMBER OF COOLED BEVERAGES (PCS)	1	2	2
LENGTH OF COOLING COILS (M)	1X28,0	2X14,0	2X14,0
DIAMETER OF COOLING COIL (MM)	7X8	7X8	7X8
POWER (W)	598	483	598
AMPERAGE (A)	2,60	2,10	2,60
NET WEIGHT (KG)	30,0	27,0	30,0
REFRIGERANT TYPE	R290	R290	R290
VOLTAGE (V)	220-240V 50HZ~1	220-240V 50HZ~1	220-240V 50HZ~1
BEVERAGE CONNECTION (FITTINGS)	9,5MM (3/8")	9,5MM (3/8")	9,5MM (3/8")
AIR CONNECTION (FITTINGS)	8MM (5/16")	-	8MM (5/16")
CUSTOMIZED OPTIONS			
CHOICE OF TAP	YES	YES	YES
BEVERAGE CONNECTION - STAINLESS STEEL SCREWING	YES	YES	YES
AIR CONNECTION - STAINLESS STEEL SCREWING	YES	NO	YES
POWER CABLE PLUG	YES	YES	YES

Do you really need a lot of power hidden in a compact portable cooler?



KONTAKT 155 NEW SERIES

Then reach for the KONTAKT 155 NEW GREEN LINE dispensing machine and you can't make a mistake. Serving up to 320 perfectly chilled beers per hour will not disappoint you even in larger restaurants, bars, festivals or outdoor pop-up mobile bars. The version with two taps allows the cooler to be used for two independent beverages. The KONTAKT model line includes the most popular professional coolers with this performance. The designation NEW in the name means that this is an innovated version of the cooler, which is certified according to the latest safety and hygiene standards (Czech and European).



COMPACT & POWERFUL

Our most popular coolers in foreign markets. This is how the KONTAKT model line, which offers professional cooling solutions in compact dimensions, can be characterized.



- ^ KONTAKT 155/R NEW GREEN LINE DOUBLE PRESSURE REDUCER - Thanks to the built-in double PRESSURE REDUCER for connecting the CO₂ cylinder, you can independently set the pressure on each line separately. Two manometers are also available.
- ∨ CO₂ CONNECTION - Easy connection of the pressure cylinder using a high pressure hose.



| BENEFITS AND USEFUL FEATURES

INNOVATION - All our contact coolers are constantly evolving and meet all the latest safety standards and certifications (Czech and European).

PERFORMANCE - KONTAKT 155 NEW GREEN LINE dispensing equipment with its increased continuous output of 120 - 160 l /hour allows the serving of about 240 - 320 perfectly chilled beverages in one hour.

GREEN LINE - LINDR GREEN LINE technology is environmentally friendly thanks to the use of eco-friendly refrigerant R-290. Thanks to this design, each product achieves 20 % higher energy efficiency and 20 % lower energy consumption. We have introduced an energy saving system in the production.

BEVERAGE VOLUME IN THE COOLING BLOCK - A characteristic feature of our coolers is the large volume of beverage in the cooling block. Models in the Kontakt 155 series have 2 l. The uniform inner diameter of the cooling coil (7 mm) from the dispense head to the tap guarantees cleanliness and optimal beverage flow.

EQUIPMENT - Thermostat enabling continuous and precise regulation of the beverage temperature, tap (s), tap wrench, drip tray and speed fittings for easy connection.

UNIVERSAL USE - This dispensing machine can also be used in combination with a dispense tower.

STAINLESS STEEL STRUCTURE - The complete structure and cooling coil are made of stainless steel. The materials used meet the highest requirements of hygienic standards and guarantee a long life.

OVERALL COMPACTNESS - KONTAKT series coolers have the best ratio of performance, dimensions and price on the market.

The overall robustness of this model leaves no one in doubt that this cooler can deal with the company of several dozen thirsty people.



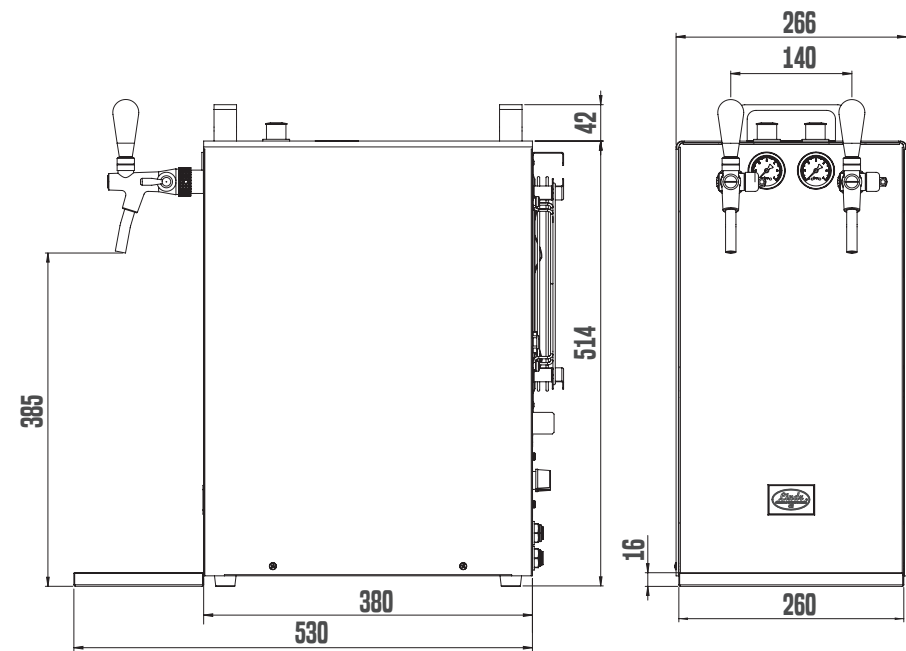
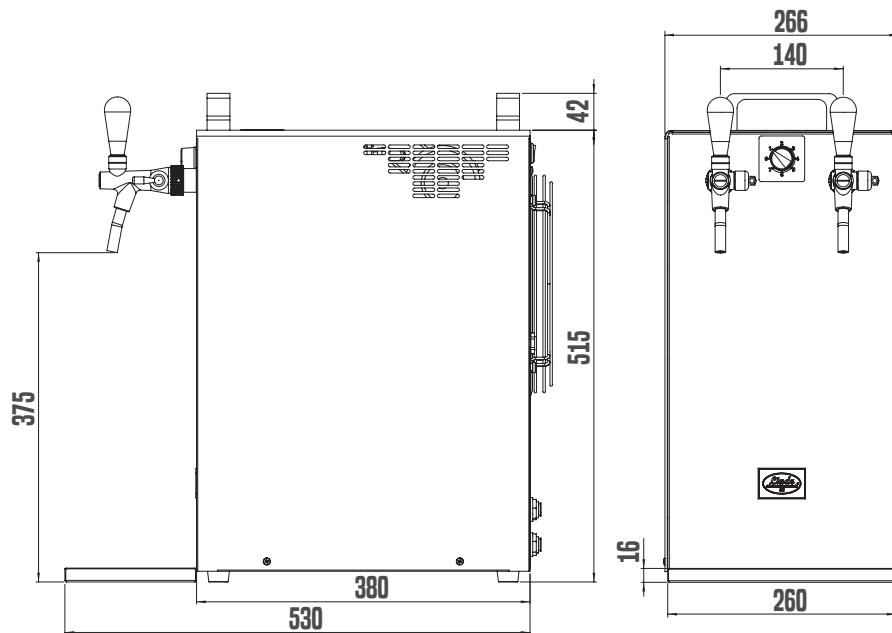
- ^ Řada KONTAKT 155 NEW GREEN LINE
EASY TO CARRY - Easy and safe handling thanks to the small dimensions of the machine and the handles which are located on its upper part.
- √ TEMPERATURE CONTROL - The standard supplied part is a thermostat enabling continuous and precise regulation of the beverage temperature.



KONTAKT 155, 155/K NEW GREEN LINE 



KONTAKT 155/R NEW GREEN LINE 



TECHNICAL PARAMETERS

PRODUCT MODEL	KONTAKT 155 NEW GL	KONTAKT 155/K NEW GL	KONTAKT 155/R NEW GL
COOLING POWER OF THE COMPRESSOR (HP)	3/4	3/4	3/4
COOLING POWER OF THE COMPRESSOR (W)	1550	1550	1550
MAXIMUM COOLING CAPACITY TO 0 °C / TK 45 °C (L/HOUR)	160	160	160
CONTINUOUS COOLING PERFORMANCE (L/HOUR)	120	120	120
THERMAL GRADIENT ΔT (°C)	10	10	10
AIR COMPRESSOR (BAR)	NO	YES	NO
AIR COMPRESSOR PRESSURE (BAR)	-	AUTOMATIC 2,8-3,2	-
NUMBER OF TAPS (PCS)	2	2	2
NUMBER OF COOLED BEVERAGES (PCS)	2	2	2
LENGTH OF COOLING COILS (M)	2X26,0	2X26,0	2X26,0
DIAMETER OF COOLING COIL (MM)	7X8	7X8	7X8
POWER (W)	874	966	874
AMPERAGE (A)	3,80	4,20	3,80
NET WEIGHT (KG)	39,5	42,5	42,0
REFRIGERANT TYPE	R290	R290	R290
VOLTAGE (V)	220-240V 50HZ~1	220-240V 50HZ~1	220-240V 50HZ~1
BEVERAGE CONNECTION (FITTINGS)	9,5MM (3/8")	9,5MM (3/8")	9,5MM (3/8")
AIR CONNECTION (FITTINGS)	-	8MM (5/16")	-
CUSTOMIZED OPTIONS			
CHOICE OF TAP	YES	YES	YES
BEVERAGE CONNECTION - STAINLESS STEEL SCREWING	YES	YES	YES
AIR CONNECTION - STAINLESS STEEL SCREWING	NO	YES	NO
POWER CABLE PLUG	YES	YES	YES

Do you really need a lot of power hidden in a compact portable cooler?

KONTAKT 300 TWIN POWER SERIES

Then reach for the KONTAKT 155 NEW GREEN LINE dispensing machine and you can't make a mistake. KONTAKT 300 TWIN POWER Green Line model is professional beverage cooler which can be used more than just a mobile bar. Thanks to their unique design with two cooling compressors, KONTAKT 300 TWIN POWER Green Line is the most powerful cooler in its class. It is designed for professional cooling, dispensing and serving perfectly chilled beer and other beverages. Serving up to 600 perfectly chilled beers per hour will not disappoint you even in larger restaurants, bars, festivals or outdoor pop-up mobile bars.



- < < KONTAKT 300/K PROFI TWIN POWER GREEN LINE ILLUMINATED ADVERTISING - Full scale advertising space facing in the direction of the customer with customised logos.
- < KONTAKT 300 TWIN POWER GREEN LINE QUICK INSTALLATION - The taps are customized and easy to install. You can choose any of traditional or ball tap. The design of KONTAKT 300 TWIN POWER allows the cooler to be used as a pre-cooler, an undercounter cooler and allows possibility of combination with dispense tower.

BENEFITS AND USEFUL FEATURES

HIGH OUTPUT - the design of the two-compressor cooling unit with use of eco-friendly refrigerant R-290 allows a maximum cooling output of up to 300 l/ hour without the need to use an additional pre-cooler.

LOW INPUT POWER - the machine's high output is achieved with a maximum input power of under 6A.

SIMPLE CONNECTION - 2x35 m long two-circuit stainless steel tubing with 10 mm diameter embedded in a thermoblock. The tubing is fitted with a stainless steel screwing on both the inlet and outlet to connect the beverage supply (INLET - external 5/8" / OUTLET - internal 5/8").

AIR COMPRESSORS - The two quiet inbuilt air compressors feature a separate receiver to prevent pressure fluctuations during dispensing. Regulation of pressure is 1- 4 bars.

QUICK INSTALLATION - The taps are customized and easy to install.

UNIVERSAL USE - the design of KONTAKT 300 TWIN POWER allows the cooler to be used as a pre-cooler, an undercounter cooler and, above all, as a portable, powerful cooler.

ILLUMINATED ADVERTISING - full scale advertising space facing in the direction of the customer with customised logos.

EASILY PORTABLE - the robust construction of the machines's two sliding stainless steel handles enables ease of portability.

HYGIENE AND DURABILITY - the entire body and coils are made of stainless steel. The materials used meet the strictest hygienic standards and guarantee long service life of the cooler.

RECYCLABLE MATERIALS - the cooler is made of fully recyclable materials.

VERSATILITY - Can also be used with a bar dispense tower.

GREEN LINE - LINDR GREEN LINE technology is environmentally friendly thanks to the use of eco-friendly refrigerant R-290. Thanks to this design, each product achieves 20 % higher energy efficiency and 20 % lower energy consumption. We have introduced an energy saving system in the production.

LINDR THERMAL BLOCK - the compressor cooling unit uses the power input for direct transfer to chilling, which guarantees minimum energy usage. Perfectly chilled beer is ready within a few minutes after switching the cooler on.

STAINLESS CONSTRUCTION - the entire body and the coil of the cooler are made of stainless steel. The materials used meet the strictest hygienic standards and guarantee long service life of the cooler.

PERFORMANCE, QUALITY, SIZE - the best performance/ quality/ size ratio.



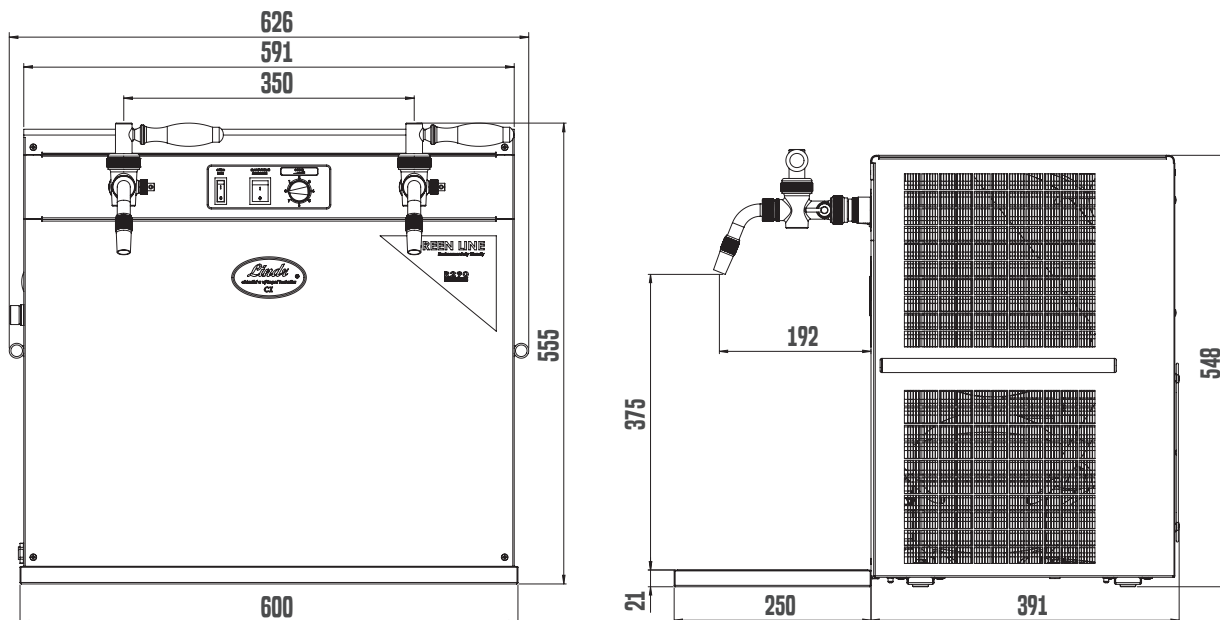
- ^ KONTAKT 300 TWIN POWER GREEN LINE series
COMFORTABLY PORTABLE – The robust construction of the machines's two sliding stainless steel handles enables ease of portability.
- ∨ KONTAKT 300/K PROFI TWIN POWER GREEN LINE
PRESSURE REGULATION – Manometr with regulation button allows fluent regulation 1-4 bar.



KONTAKT 300, 300/K PROFI TWIN POWER GREEN LINE



www.lindr.cz 



- ^ KONTAKT 300/K PROFI TWIN POWER GREEN LINE
SIMPLE CONNECTION - 2x35 m long two-circuit stainless steel tubing with 10 mm diameter embedded in a thermoblock. The tubing is fitted with a stainless steel screwing on both the inlet and outlet to connect the beverage supply (INLET - external 5/8" / OUTLET - internal 5/8").



TECHNICAL PARAMETERS

PRODUCT MODEL	KONTAKT 300 TWIN POWER GL	KONTAKT 300/K-PROFI TWIN POWER GL
COOLING POWER OF THE COMPRESSOR (HP)	2X 1/2	2X 1/2
COOLING POWER OF THE COMPRESSOR (W)	2X 1488	2X 1488
MAXIMUM COOLING CAPACITY TO 0 °C / TK 45 °C (L/HOUR)	300	300
CONTINUOUS COOLING PERFORMANCE (L/HOUR)	240	240
THERMAL GRADIENT ΔT (°C)	10	10
AIR COMPRESSOR (BAR)	NO	YES
AIR COMPRESSOR PRESSURE (BAR)	-	REGULATION 1,0-4,0
NUMBER OF TAPS (PCS)	2	2
NUMBER OF COOLED BEVERAGES (PCS)	2	2
LENGTH OF COOLING COILS (M)	2X35,0	2X35,0
DIAMETER OF COOLING COIL (MM)	10X0,5	10X0,5
POWER (W)	1150	1380
AMPERAGE (A)	5,00	6,00
NET WEIGHT (KG)	70,0	76,0
REFRIGERANT TYPE	R290	R290
VOLTAGE (V)	220-240V 50HZ~1	220-240V 50HZ~1
BEVERAGE CONNECTION (FITTINGS)	65/8"	65/8"
AIR CONNECTION (FITTINGS)	-	65/8"
CUSTOMIZED OPTIONS		
CHOICE OF TAP	YES	YES
BEVERAGE CONNECTION - STAINLESS STEEL SCREWING	NO	NO
AIR CONNECTION - STAINLESS STEEL SCREWING	NO	NO
POWER CABLE PLUG	YES	YES

DISPENSING EQUIPMENT LUXURIOUS



QUALITY INNOVATION PERFORMANCE DESIGN

The fact that the well-tuned design and perfect functionality do not have to go against each other is proved by a number of our luxury line of cooling machines. Whether you like clean stainless steel look or handmade wooden details, you will definitely choose.



The main advantage of the PYGMY EXCLUSIVE NEW series of dispensing devices is undoubtedly the modern and elegant look.

PYGMY EXCLUSIVE NEW SERIES

The technology is based on the PYGMY series. Its use is therefore mainly in places where appearance really matters. That's why the front backlit panel is completely under your control so that it is as suitable as possible for the occasion where the dispensing machine will be used. It will find its place mainly at smaller private events, presentations and meetings.



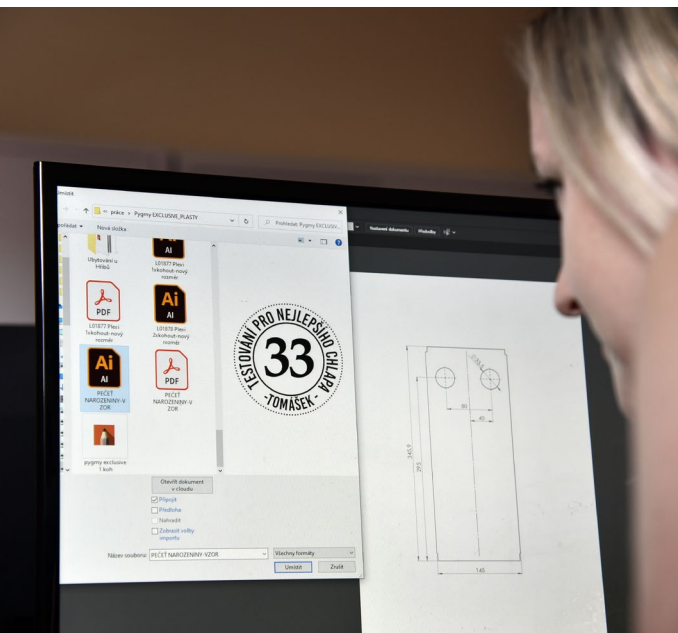
BACKLIT LED PANEL & DESIGN



- < < PYGMY 25/K EXCLUSIVE NEW GREEN LINE 2x TAP BACK CONTROL PANEL – Because we care about the design, we have hidden all the controls on the back of the cooler so that they are perfectly accessible, but at the same time remain hidden.
- < ONE OR TWO TAPS? – The PYGMY EXCLUSIVE series consists of two coolers - with one or two taps. The two tap model is the most compact two tap cooler on the market. We have recently extended the cooling coils to 2 x 9 m, thanks to which you will get the opportunity to dispense two well-chilled drinks. And it doesn't have to be just beer, but wine, cider, prosecco or lemonade.

POSSIBILITY OF INDIVIDUAL ADJUSTMENTS

We supply the front panel in a basic design with its own elegant and tasteful motif. But if you want a custom design for the panel, it's no problem. You can deliver it to us, or we will be happy to prepare it exactly according to your requirements.



^ PYGMY 25/K EXCLUSIVE NEW GREEN LINE 2x TAP
We supply the front panel in a basic design with its own elegant and tasteful motif.

<< PYGMY 25/K EXCLUSIVE NEW GREEN LINE 1x TAP
INDIVIDUAL ADJUSTMENTS – You can design the motif of the front backlit panel yourself or we will be happy to help you with it. The basic color of the backlight is white, at your request we are able to backlight the panel with other colors.

| BENEFITS AND USEFUL FEATURES

DESIGN – The coolers have a luxurious design with a backlit front panel and clean stainless steel lines, which unobtrusively underline the overall elegance.

INDIVIDUAL ADJUSTMENTS – You can design the motif of the front backlit panel yourself or we will be happy to help you with it. The basic color of the backlight is white, at your request we are able to backlight the panel with other colors.

GREEN LINE – LINDR GREEN LINE technology is environmentally friendly thanks to the use of eco-friendly refrigerant R-290. Thanks to this design, each product achieves 20 % higher energy efficiency and 20 % lower energy consumption. We have introduced an energy saving system in the production.

EXTENDED COOLING COILS - Thanks to the innovated interior of the cooler, we have managed to extend the total length of the cooling coils to 18 meters for version with 2 taps, so you can easily turn two perfectly chilled beers with a volume of 0.4 l in a row with this cooler.

THERMOBLOCK LINDR – a modern compressor cooling unit using input energy for direct conversion to cold. This guarantees minimum energy consumption. High-quality chilled beer is ready within minutes of connecting the machine.

COOLING SPEED - The unique design of the cooling block with a perfectly tuned circuit guarantees not only the cooling of the beverage within a few minutes of switching on, but also the maintenance of a constant temperature if several beverages are dispensed in a short time.

BEVERAGE VOLUME IN THE COOLING BLOCK - A characteristic feature of our coolers is the large volume of beverage in the cooling block. Even the smallest models in the PYGMY series have a minimum of 0.5 l. The uniform inner diameter of the cooling coil (7 mm) from the dispense head to the tap guarantees cleanliness and optimal beverage flow.

AIR COMPRESSOR – The models are equipped with a high-quality built-in air compressor, which, thanks to its quiet operation, is also suitable for more intimate events without disturbing the surrounding atmosphere.

AIR FILTER - Because the quality of the dispensed beverage comes first for us, all our dispensing machines with a built-in air compressor are equipped with a molecular filter for incoming air.

STAINLESS STEEL STRUCTURE – The complete structure and the coil are made of stainless steel. The materials used meet the highest requirements of hygienic standards and are a guarantee of long life of PYGMY EXCLUSIVE series coolers.

EQUIPMENT – The standard supplied parts are the thermostat enabling continuous and precise regulation of the beverage temperature, tap (s), tap wrench, drip tray and quick fittings for easy connection.

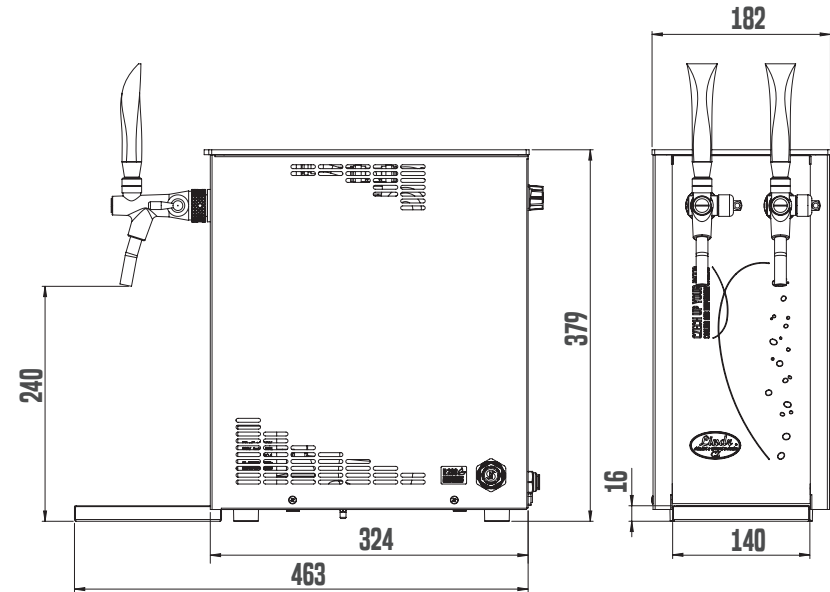
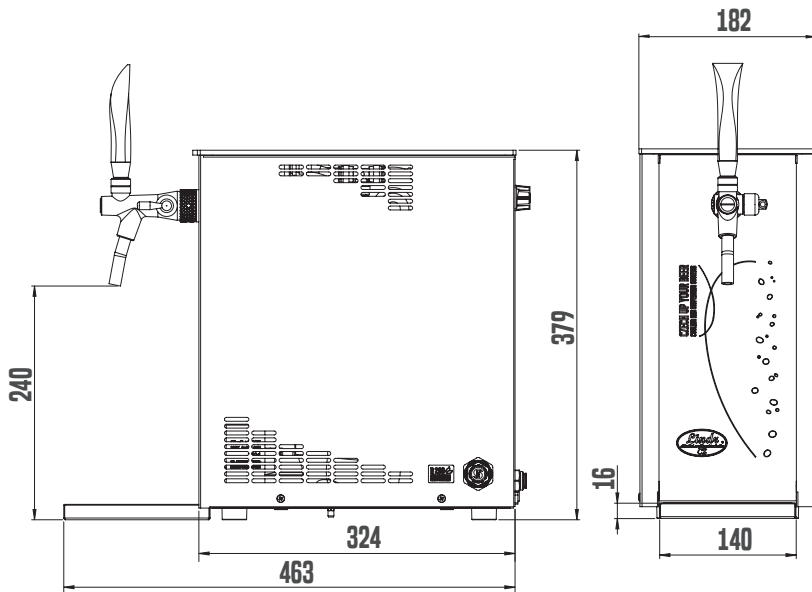


- ^ PYGMY 25/K EXCLUSIVE GREEN LINE 1x TAP
DESIGN – The coolers have a luxurious design with a backlit front panel and clean stainless steel lines, which unobtrusively underline the overall elegance.
- v EASY CONNECTION - Each dispensing machine is equipped with a speed fittings for easy connection of tubes.



PYGMY 25/K EXCLUSIVE NEW GREEN LINE  1X TAP

PYGMY 25/K EXCLUSIVE NEW GREEN LINE  2X TAP



TECHNICAL PARAMETERS

PRODUCT MODEL	PYGMY 25/K EXCLUSIVE NEW GL 1x TAP	PYGMY 25/K EXCLUSIVE NEW GL 2x TAP
COOLING POWER OF THE COMPRESSOR (HP)	1/8	1/8
COOLING POWER OF THE COMPRESSOR (W)	310	310
MAXIMUM COOLING CAPACITY TO 0 °C / TK 45 °C (L/HOUR)	35	35
CONTINUOUS COOLING PERFORMANCE (L/HOUR)	25	25
THERMAL GRADIENT ΔT (°C)	10	10
AIR COMPRESSOR (BAR)	YES	YES
AIR COMPRESSOR PRESSURE (BAR)	AUTOMATIC 2,8-3,2	AUTOMATIC 2,8-3,2
NUMBER OF TAPS (PCS)	1	2
NUMBER OF COOLED BEVERAGES (PCS)	1	2
LENGTH OF COOLING COILS (M)	1X13,5	2X9,0
DIAMETER OF COOLING COIL (MM)	7X8	7X8
POWER (W)	345	345
AMPERAGE (A)	1,50	1,50
NET WEIGHT (KG)	19,0	20,0
REFRIGERANT TYPE	R290	R290
VOLTAGE (V)	220-240V 50HZ~1	220-240V 50HZ~1
BEVERAGE CONNECTION (FITTINGS)	9,5MM (3/8")	9,5MM (3/8")
AIR CONNECTION (FITTINGS)	8MM (5/16")	8MM (5/16")
CUSTOMIZED OPTIONS		
CHOICE OF TAP	YES	YES
BEVERAGE CONNECTION - STAINLESS STEEL SCREWING	YES	YES
AIR CONNECTION - STAINLESS STEEL SCREWING	YES	YES
MOTIVE OF LIGHTING PANEL	YES	YES
POWER CABLE PLUG	YES	YES

LUXURY & UNIQUENESS



A COOLER THAT PERFECTLY FITS YOUR MODERN KITCHEN

PYGMY PRO KITCHEN pushes the boundaries of the luxury of having beer on tap in the kitchen. With its exclusive and original design, it is an ideal candidate for installation in the kitchen of anyone who is at least a little serious about home-draught beer.

Behind the idea of entering the modern kitchen with built-in beer cooler is Miloš Lindr, visionary and founder of the company.



PYGMY PRO KITCHEN

Let us present the newest representative of our luxury coolers in the EXCLUSIVE – PYGMY PRO KITCHEN line. This is a built-in cooler that perfectly fits your modern kitchen. The combination of stainless steel and black tempered glass highlights its elegance and original look.

**FULLY
BUILT-IN
COOLER**



- ^ PYGMY PRO KITCHEN GREEN LINE
QUIET OPERATION – the elaborated design ensures sufficient air flow and quiet operation.
- ∨ SIMPLE OPERATION – Includes temperature adjustment using a clear and elegant control panel.





ADVANTAGES & USEFUL FEATURES

BUILT-IN CONSTRUCTION – a construction designed to be built into a kitchen worktop, its dimensions correspond to a kitchen module with a width of 45 cm.

QUIET OPERATION – The elaborated design ensures sufficient air flow and quiet operation.

PARTICULATE FILTER – The ventilation inlet is protected by a special particulate filter (located in the lower part of the cooler).

OUTPUT – The PYGMY PRO KITCHEN with its increased continuous output 25-35l/h, enables the continuous serving of 50-70 high-quality chilled beverages during one hour.

LUXURIOUS APPEARANCE – the top part is made of tempered glass, which guarantees long-term durability and a perfect look.

AIR COMPRESSOR – includes a built-in air compressor with a particulate filter.

SIMPLE OPERATION – includes temperature adjustment using a clear and elegant control panel.

STAINLESS STEEL TAP – The dispense tower is equipped with a stainless steel tap. This allows the cooler to be used not only for draft beer, but also for any other drink - wine, cider, water or even cocktails.





PYGMY



AN EXCLUSIVE COOLER NOT ONLY FOR THE KITCHEN - The construction of PYGMY PRO KITCHEN is completely unique. There is no such mass-produced cooler on the market. Its output is based on the PYGMY 25 cooler. It has a clear and elegant control panel, quiet operation and, last but not least, the proven TUBE tap tower.

WHERE CAN IT BE USED? - As always, in addition to the technical side, we put an extremely high emphasis on design and quality of workmanship. That is why our new cooler fits perfectly even the most modern kitchens. But you can also build it into a design bar, garden kitchen or a mobile bar, where it will stand out and fulfil its purpose.



COOLERS PYGMY PRO KITCHEN

The cabinet is an optional accessory for possible placement anywhere where there is space. Made of quality oak wood.



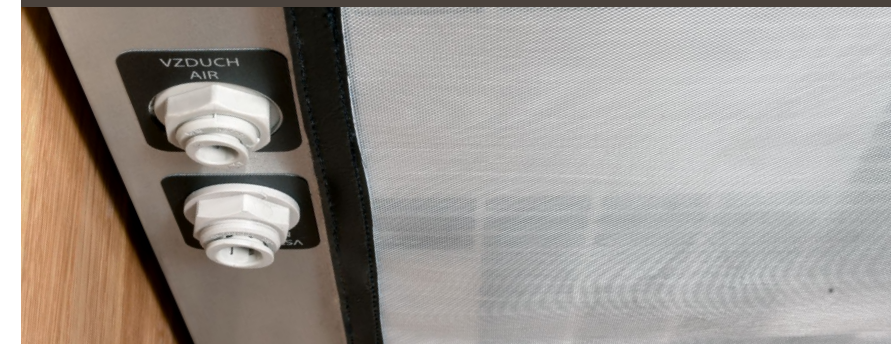
The PYGMY PRO KITCHEN cooler with the width of 45 cm is designed in such a way that all the equipment you need for draughting beer or other chilled drinks fits into one modular kitchen cabinet.

Thanks to the TUBE tap tower, the cooler can be delivered with different options of tap handles, both materials and function-wise. The tap itself is made of stainless steel so any kind of beverage can be connected in addition to beer, like wine, cider, water or even a cocktail.

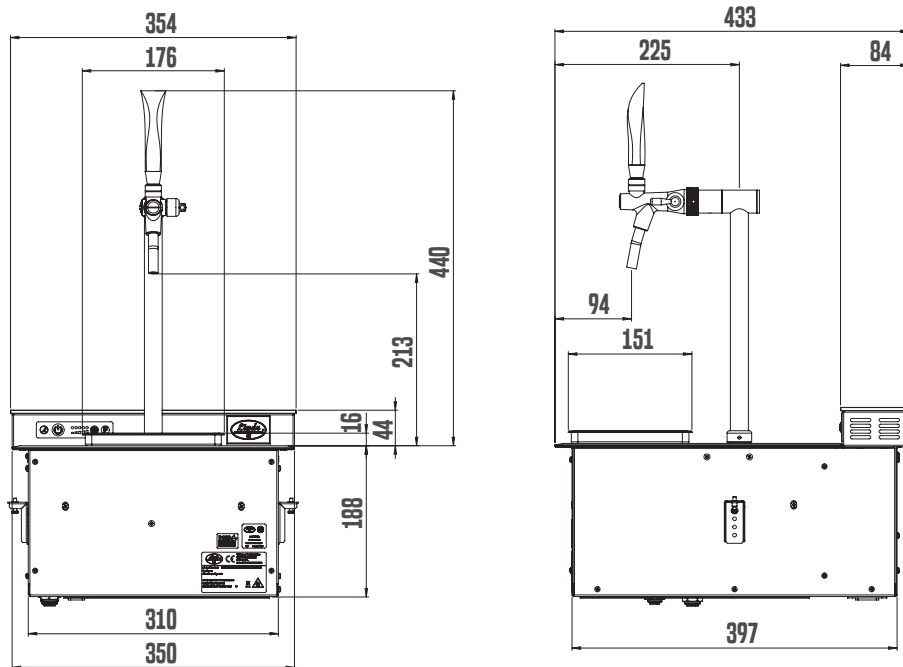


^ UNDER THE SURFACE – The unique design of the cooler allows it to be placed in a single kitchen cabinet.

v PARTICULATE FILTER – the ventilation inlet is protected by a special particulate filter (located in the lower part of the cooler).



PYGMY PRO KITCHEN GREEN LINE



TECHNICAL PARAMETERS

PRODUCT MODEL	PYGMY PRO KITCHEN
COOLING POWER OF THE COMPRESSOR (HP)	1/8
COOLING POWER OF THE COMPRESSOR (W)	280
MAXIMUM COOLING CAPACITY TO 0 °C / TK 45 °C (L/HOUR)	35
CONTINUOUS COOLING PERFORMANCE (L/HOUR)	25
THERMAL GRADIENT ΔT (°C)	10
AIR COMPRESSOR (BAR)	YES
AIR COMPRESSOR PRESSURE (BAR)	AUTOMATIC 2,8-3,2
NUMBER OF TAPS (PCS)	1
NUMBER OF COOLED BEVERAGES (PCS)	1
LENGTH OF COOLING COILS (M)	1X11,5
DIAMETER OF COOLING COIL (MM)	7X8
POWER (W)	322
AMPERAGE (A)	1,40
NET WEIGHT (KG)	21,5
REFRIGERANT TYPE	R290
VOLTAGE (V)	220-240V 50HZ~1
BEVERAGE CONNECTION (FITTINGS)	9,5MM (3/8")
AIR CONNECTION (FITTINGS)	8MM (5/16")
CUSTOMIZED OPTIONS	
CHOICE OF TAP	NO
BEVERAGE CONNECTION - STAINLESS STEEL SCREWING	NO
AIR CONNECTION - STAINLESS STEEL SCREWING	NO
POWER CABLE PLUG	YES



Solid oak wood in combination with stainless steel accessories gives those coolers an unmistakable look.

SOUDEK NEW SERIES

The luxurious line of SOUDEK beer coolers is a combination of exclusive oak wood and stainless steel accessories. Technically, these models are based on our range of portable beer coolers PYGMY and KONTAKT.

The luxurious beer cooler SOUDEK 20 NEW GREEN LINE is a combination of exclusive oak wood and stainless steel accessories. The result of this combination is a unique look, which you will appreciate in a rustic kitchen, home bar or smaller commercial environments, such as wine shops or wine bars.



^ SOUDEK 20 NEW GREEN LINE

MEDALLION - The SOUDEK 20 NEW GREEN LINE model offers the option of fitting a wooden medallion for the presentation of draft beer. To emphasize the overall design, the cooler has a wooden tap handle.

STAINLESS STEEL & OAK WOOD

Solid oak wood in combination with stainless steel accessories gives those coolers an unmistakable look.



| BENEFITS AND USEFUL FEATURES

INNOVATION - All our luxury coolers are constantly evolving and meet all the latest safety standards and certifications (Czech and European).

DESIGN - Solid oak wood in combination with stainless steel accessories gives those coolers an unmistakable look.

STAINLESS STEEL TAP - We offer a choice with a stainless steel tap for bottling wine, which is optimal both in terms of durability and hygiene.

PERFORMANCE - The SOUDEK series dispensing machines, with their increased continuous output 15-20 l/h, enable the continuous serving of 30-40 high-quality chilled beverages in quantities corresponding to their numerical designation in liters.

GREEN LINE - LINDR GREEN LINE technology is environmentally friendly thanks to the use of ecological refrigerant R-290. Thanks to this design, each of the products achieves 20 % higher energy efficiency and 20 % lower electricity consumption. We produce energy savings system during its production.

COOLING SPEED - The unique design of the cooling block with a perfectly tuned circuit guarantees not only the cooling of the beverage within a few minutes of switching on, but also the maintenance of a constant temperature if several beverages are dispensed in a short time.

BEVERAGE VOLUME IN THE COOLING UNIT - A characteristic feature of our coolers is the large volume of beverage in the cooling block. Even the smallest models in the range of luxury coolers have a minimum of 0.5 l. The uniform inner diameter of the cooling coil (7 mm) from the dispense head to the tap guarantees cleanliness and optimal flow of the beverage.

EQUIPMENT - The standard supplied part is a thermostat enabling continuous and precise regulation of the beverage temperature, a tap, a tap wrench, a drip tray and speedfit fittings for easy connection.

OVERALL COMPACTNESS - SOUDEK portable coolers have the best ratio of performance, size and price on the market.



- ^ SOUDEK 20 NEW GREEN LINE
FLOW CONTROL – Compensator taps allow continuous flow control.
- ∨ TEMPERATURE CONTROL - The standard supplied part is a thermostat enabling continuous and precise regulation of the beverage temperature.

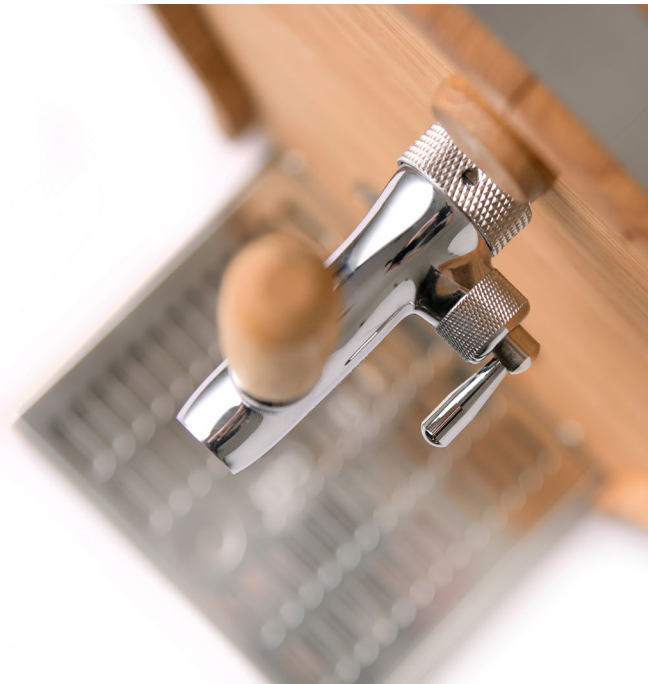


Solid oak wood in combination with stainless steel accessories gives those coolers an unmistakable look.



SOUDEK 35 NEW

The luxurious beer cooler SOUDEK 35 NEW GREEN LINE represents combination of exclusive oak wood and stainless steel accessories. The result of this combination is a unique look, which you will appreciate in a rustic kitchen, home bar or smaller commercial environments, such as wine shops or wine bars. Technically, this model is based on our portable compact beer cooler PYGMY 35/K PROFI, only without a built-in compressor.



OAK WOOD &
STAINLESS STEEL



- ^ SOUDEK 35 NEW GREEN LINE
MATERIAL COMBINATION - It's hard to imagine a more elegant combination of materials than solid oak and stainless steel.
- << SOUDEK 35 NEW GREEN LINE
EASY CONNECTION - Each dispensing machine is equipped with speedfit fittings for easy connection of hoses.
- < FLOW CONTROL – Compensator taps allow continuous flow control.

| BENEFITS AND USEFUL FEATURES

INNOVATION - All our luxury coolers are constantly evolving and meet all the latest safety standards and certifications (Czech and European).

DESIGN - Solid oak wood in combination with stainless steel accessories gives those coolers an unmistakable look.

STAINLESS STEEL TAP - We offer a choice with a stainless steel tap for bottling wine, which is optimal both in terms of durability and hygiene.

PERFORMANCE - The SOUDEK series dispensing machines, with their increased continuous output 35-40 l/h, enable the continuous serving of 70-80 high-quality chilled beverages in quantities corresponding to their numerical designation in liters.

GREEN LINE - LINDR GREEN LINE technology is environmentally friendly thanks to the use of ecological refrigerant R-290. Thanks to this design, each of the products achieves 20 % higher energy efficiency and 20 % lower electricity consumption. We produce energy savings system during its production.

COOLING SPEED - The unique design of the cooling block with a perfectly tuned circuit guarantees not only the cooling of the beverage within a few minutes of switching on, but also the maintenance of a constant temperature if several beverages are dispensed in a short time.

BEVERAGE VOLUME IN THE COOLING UNIT - A characteristic feature of our coolers is the large volume of beverage in the cooling block. Even the smallest models in the range of luxury coolers have a minimum of 0.5 l. The uniform inner diameter of the cooling coil (7 mm) from the dispense head to the tap guarantees cleanliness and optimal flow of the beverage.

EQUIPMENT - The standard supplied part is a thermostat enabling continuous and precise regulation of the beverage temperature, a tap, a tap wrench, a drip tray and speedfit fittings for easy connection.

OVERALL COMPACTNESS - SOUDEK portable coolers have the best ratio of performance, size and price on the market.



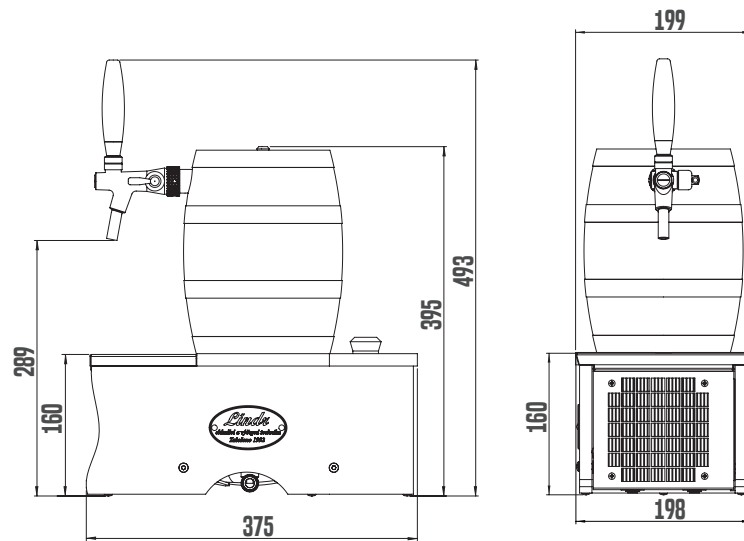
^ SOUDEK 35 NEW GREEN LINE

EASY TO CARRY – Easy and safe handling thanks to the small dimensions of this dispensing machine and wooden handle, which is located on its upper part.

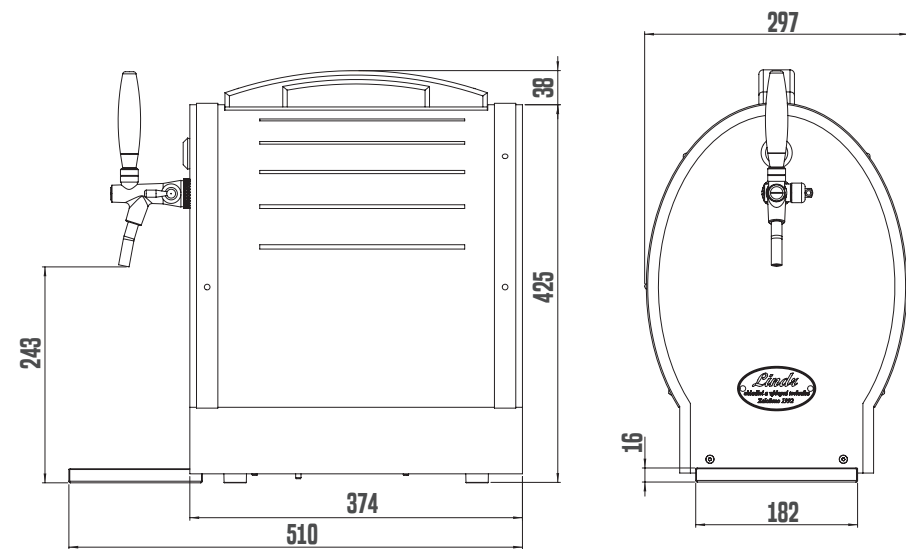
v **TEMPERATURE CONTROL** - The standard supplied part is a thermostat enabling continuous and precise regulation of the beverage temperature.



SOUDEK 20 NEW GREEN LINE



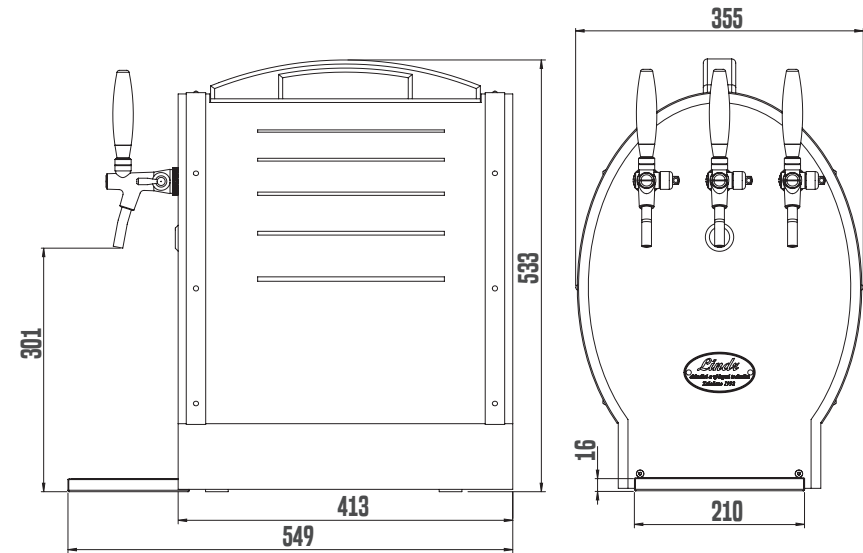
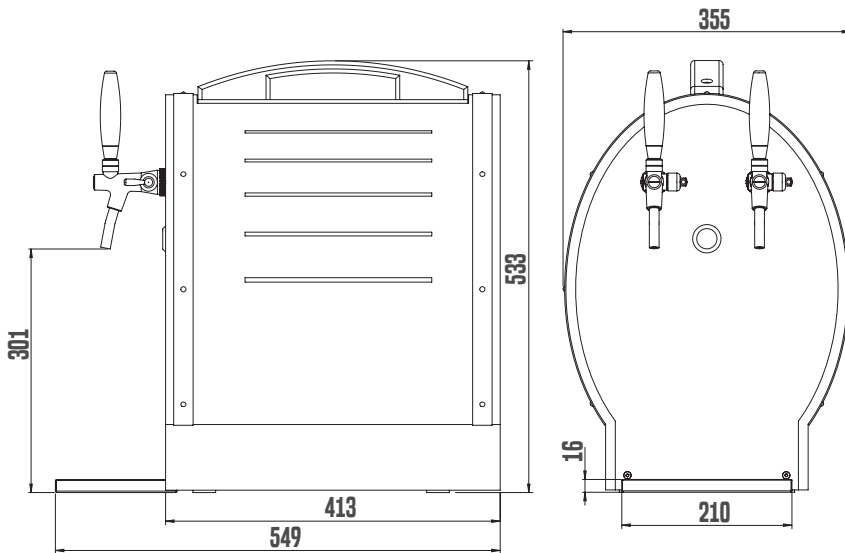
SOUDEK 35 NEW GREEN LINE



SOUDEK 50 NEW GREEN LINE  2X TAP



SOUDEK 50 NEW GREEN LINE  3X TAP





SOUDEK 50 NEW

The luxurious line of SOUDEK beer coolers is a combination of exclusive oak wood and stainless steel accessories. Technically, these models are based on our range of portable beer coolers PYGMY and KONTAKT.

The luxurious beer cooler SOUDEK 50 NEW GREEN LINE with 3 taps represents combination of exclusive oak wood and stainless steel accessories. The result of this combination is a unique look, which you will appreciate in a rustic kitchen, home bar or smaller commercial environments, such as wine shops or wine bars. Technically, this model is based on our beer cooler KONTAKT 40.



STAINLESS STEEL & OAK WOOD

Solid oak wood in combination with stainless steel accessories gives those coolers an unmistakable look.



^ SOUDEK 50 NEW GREEN LINE 3x TAP

DISPENSING OPTIONS - Thanks to three taps, this machine can be used to dispense a total of three beverages, two chilled and one non-chilled. We offer a choice with a stainless steel tap for bottling wine, which is optimal both in terms of durability and hygiene.



| BENEFITS AND USEFUL FEATURES

INNOVATION - All our luxury coolers are constantly evolving and meet all the latest safety standards and certifications (Czech and European).

DESIGN - Solid oak wood in combination with stainless steel accessories gives those coolers an unmistakable look.

STAINLESS STEEL TAP - We offer a choice with a stainless steel tap for bottling wine, which is optimal both in terms of durability and hygiene.

PERFORMANCE - The SOUDEK series dispensing machines, with their increased continuous output 40-50 l/h, enable the continuous serving of 80-100 high-quality chilled beverages in quantities corresponding to their numerical designation in liters.

GREEN LINE - LINDR GREEN LINE technology is environmentally friendly thanks to the use of ecological refrigerant R-290. Thanks to this design, each of the products achieves 20 % higher energy efficiency and 20 % lower electricity consumption. We produce energy savings system during its production.

COOLING SPEED - The unique design of the cooling block with a perfectly tuned circuit guarantees not only the cooling of the beverage within a few minutes of switching on, but also the maintenance of a constant temperature if several beverages are dispensed in a short time.

BEVERAGE VOLUME IN THE COOLING UNIT - A characteristic feature of our coolers is the large volume of beverage in the cooling block. Even the smallest models in the range of luxury coolers have a minimum of 0.5 l. The uniform inner diameter of the cooling coil (7 mm) from the dispense head to the tap guarantees cleanliness and optimal flow of the beverage.

EQUIPMENT - The standard supplied part is a thermostat enabling continuous and precise regulation of the beverage temperature, a tap, a tap wrench, a drip tray and speedfit fittings for easy connection.

OVERALL COMPACTNESS - SOUDEK portable coolers have the best ratio of performance, size and price on the market.



- ^ SOUDEK 50 NEW GREEN LINE 2x TAP
TEMPERATURE CONTROL - The standard supplied part is a thermostat enabling continuous and precise regulation of the beverage temperature.
- v EASY TO CARRY – Easy and safe handling thanks to the small dimensions of this dispensing machine and wooden handle, which is located on its upper part.



TECHNICAL PARAMETERS

PRODUCT MODEL	SOUDEK 20 NEW GL	SOUDEK 35 NEW GL	SOUDEK 50 NEW GL	SOUDEK 50 NEW 3X TAP GL
COOLING POWER OF THE COMPRESSOR (HP)	1/8	1/8	1/5	1/5
COOLING POWER OF THE COMPRESSOR (W)	280	310	510	510
MAXIMUM COOLING CAPACITY TO 0 °C / TK 45 °C (L/HOUR)	20	40	50	50
CONTINUOUS COOLING PERFORMANCE (L/HOUR)	15	35	40	40
THERMAL GRADIENT ΔT (°C)	10	10	10	10
AIR COMPRESSOR (BAR)	NO	NO	NO	NO
AIR COMPRESSOR PRESSURE (BAR)	-	-	-	-
NUMBER OF TAPS (PCS)	1	1	2	3
NUMBER OF COOLED BEVERAGES (PCS)	1	1	2	2
LENGTH OF COOLING COILS (M)	1X11,0	1X16,5	2X16,5	2X16,5
DIAMETER OF COOLING COIL (MM)	7X8	7X8	7X8	7X8
POWER (W)	253	322	322	322
AMPERAGE (A)	1,10	1,40	1,40	1,40
NET WEIGHT (KG)	13,0	19,0	32,0	33,0
REFRIGERANT TYPE	R290	R290	R290	R290
VOLTAGE (V)	220-240V 50HZ~1	220-240V 50HZ~1	220-240V 50HZ~1	220-240V 50HZ~1
BEVERAGE CONNECTION (FITTINGS)	9,5MM (3/8")	9,5MM (3/8")	9,5MM (3/8")	9,5MM (3/8")
AIR CONNECTION (FITTINGS)	-	-	-	-
CUSTOMIZED OPTIONS				
CHOICE OF TAP	YES	YES	YES	NO
BEVERAGE CONNECTION - STAINLESS STEEL SCREWING	YES	YES	YES	YES
AIR CONNECTION - STAINLESS STEEL SCREWING	NO	NO	NO	NO
MOTIVE OF LIGHTING PANEL	NO	NO	NO	NO
POWER CABLE PLUG	YES	YES	YES	YES

DISPENSING EQUIPMENT AS – ICE BANK COOLERS

QUALITY INNOVATION PERFORMANCE DESIGN

Professional under-counter beer coolers use a water exchanger for cooling, from which the evaporator forms an ice bank. It is used in combination with a dispense tower and has a vertical orientation. It can be used in pubs, bars and restaurants.

Basic series of water coolers with ice bank designed for smaller gastro businesses, optionally with glycol for controlled fermentation in beer tanks.



AS-40 NEW SERIES

The AS-40 NEW GREEN LINE series of under-counter water coolers is equipped with conventional ice-bank cooling technology. The coolers are designed for gastro businesses and restaurants with smaller dispensing outputs. The design of the cooler allows for easy installation, e.g. under the bar or in another area. Great advantages include the small size of the cooler, the drain valve that allows easy draining of water from the unit and the water level gauge to keep track of the level.



< < AS-40 NEW GREEN LINE 2x coils

DRAIN VALVE WITH LEVEL GAUGE – The cooler is fitted with a drain valve that allows easy draining of water from the unit and the water level gauge to keep track of the level.

< AS-40 NEW GREEN LINE 2x coils

EASILY PORTABLE – Easy and safe handling with two stainless steel handles on the device sides.

| BENEFITS AND USEFUL FEATURES

INNOVATION – All of our contact coolers undergo continuous development and meet all the latest safety standards and certifications (Czech and European).

AS TECHNOLOGY – Water cooling technology with an ice bank, where full ice supply provides maximum cooling performance.

OUTPUT – The AS-40 NEW GREEN LINE tapping equipment, with its increased continuous output, allows for the continuous serving of quality chilled beverages in quantities corresponding to their numerical marking in litres.

IMMERSION PUMP – The built-in stirrer ensures an even temperature throughout the water bath. If required, the stirrer can be modified and used as an aftercooling pump with a discharge of 1.2 m.

AGITATOR PUMP – The cooler AS-40 GLYCOL incorporates an agitator pump with an aftercooling pump with a discharge of 6 m.

GREEN LINE – The LINDR GREEN LINE technology is environmentally friendly thanks to the use of the eco-friendly refrigerant R-290. Thanks to this design, each product achieves 20% higher energy efficiency and 20% lower power consumption. We have introduced an energy saving system in the production.

DURABLE SURFACE – The cooler is made of highly durable zinc sheet with PVC coated surface.

CONSTRUCTION AND SERVICE – The modern layout of the cooling technology guarantees easy accessibility for any service and maintenance.

EQUIPMENT – Standard features include a thermostat for smooth and precise beverage temperature control, a cooling loop and quick couplers.

COMPACT DESIGN – The AS series coolers have the best performance, size and price ratio on the market.



^ AS-40 GLYCOL NEW GREEN LINE

AGITATOR PUMP – The high-performance pump ensures an even temperature throughout the water bath.

∨ AS-40 GLYCOL NEW GREEN LINE

DIGITAL THERMOSTAT – Digital thermostat for smooth and precise temperature control from -6 to +40 degrees centigrade is a standard part

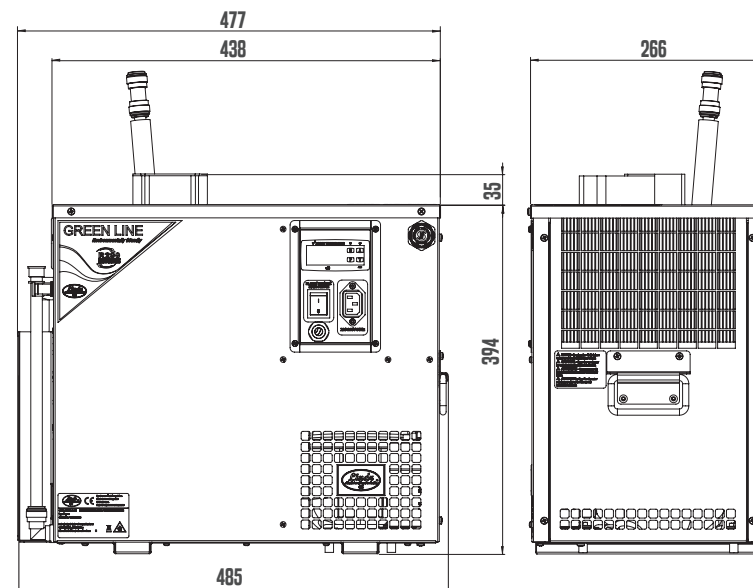


AS-40 GLYCOL NEW GREEN LINE

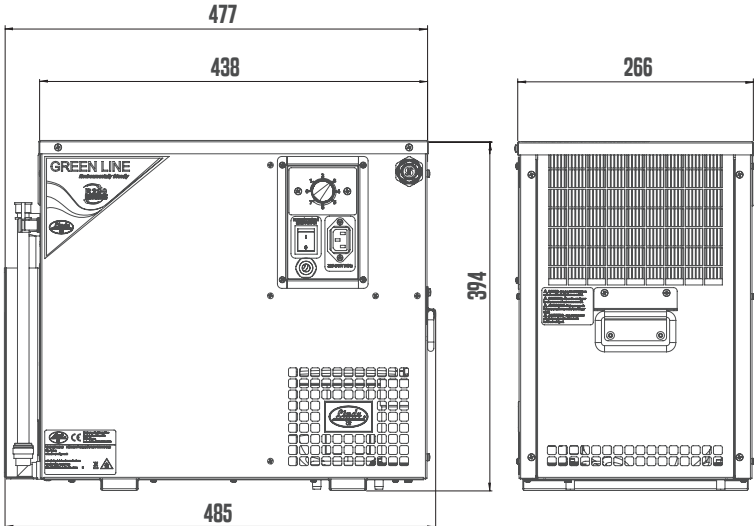


^ AS-40 GLYCOL NEW GREEN LINE

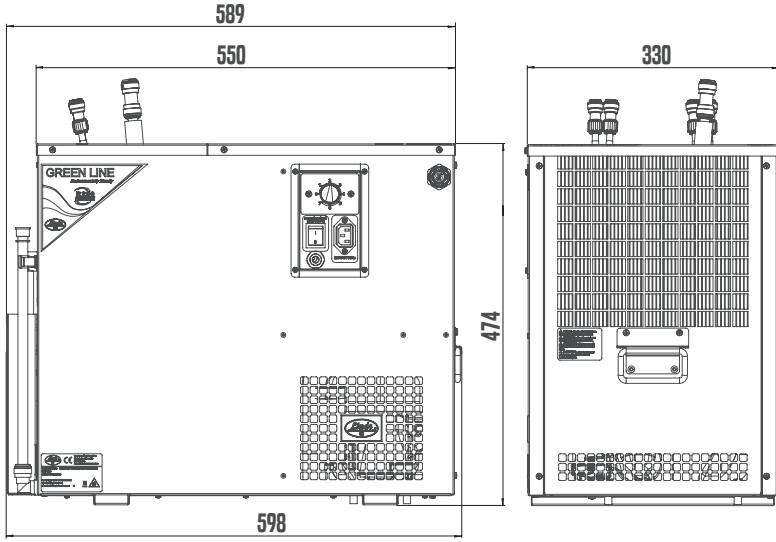
The AS-40 GLYCOL NEW GREEN LINE water cooler is fitted with a digital thermostat and a stirrer with an aftercooling pump. In addition to the conventional water cooling technology with an ice bank, a water and glycol mixture can be used, allowing the user to set the cooler temperature down to -6°C without the risk of freezing. This makes the cooler ideal for small brewing businesses (homebrewing).



AS-40 NEW GREEN LINE  2X COILS



AS-80 NEW GREEN LINE  2X COILS

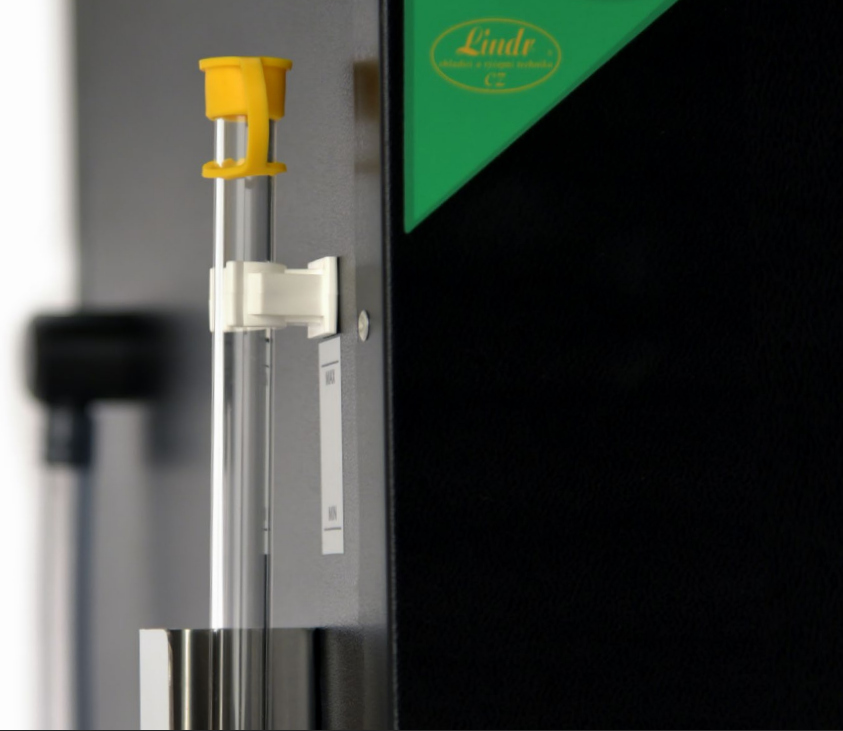


Water coolers with an ice bank designed for small and medium-sized hospitality facilities.



AS-80 NEW SERIES

If you need a cooler with a small or medium-sized output, then choose one of the under-table water coolers in the AS-80 NEW GREEN LINE series. They feature standard cooling technology with an ice bank. The cooler's design makes its easy to install, e.g. under the bar or in other premises. Their compact size, the drain valve to easily drain water from the equipment, and the water gauge to keep track of the contents all go to make it a great asset to any enterprise. You can also choose from versions with two or four cooling coils.



- ^ AS-80 NEW GREEN LINE 2x coils
- DRAIN VALVE WITH LEVEL GAUGE – The cooler is fitted with a drain valve that allows easy draining of water from the unit and the water level gauge to keep track of the level.



ICE BANK

Professional under-counter beer coolers use a water exchanger for cooling, from which the evaporator forms an ice bank.



| BENEFITS AND USEFUL FEATURES

INNOVATION – All of our contact coolers undergo continuous development and meet all the latest safety standards and certifications (Czech and European).

AS TECHNOLOGY – Water cooling technology with an ice bank, where full ice supply provides maximum cooling performance.

OUTPUT – The AS NEW GREEN LINE tapping equipment, with its increased continuous output, allows for the continuous serving of quality chilled beverages in quantities corresponding to their numerical marking in litres.

AGITATOR PUMP – The cooler incorporates an agitator pump with an aftercooling pump with a discharge of 6 m.

GREEN LINE – The LINDR GREEN LINE technology is environmentally friendly thanks to the use of the eco-friendly refrigerant R-290. Thanks to this design, each product achieves 20% higher energy efficiency and 20% lower power consumption. We have introduced an energy saving system in the production.

DURABLE SURFACE – The cooler is made of highly durable zinc sheet with PVC coated surface.

CONSTRUCTION AND SERVICE – The modern layout of the cooling technology guarantees easy accessibility for any service and maintenance.

EQUIPMENT – Standard features include a thermostat for smooth and precise beverage temperature control, a cooling coil and quick couplers.

COMPACT DESIGN – The AS series coolers have the best output, size and price ratio on the market.



- ^ AS-80 NEW GREEN LINE SERIES
THERMAL REGULATION – Thermostat for smooth and precise beverage temperature control is a standard part.

- v AS-80 NEW GREEN LINE SERIES
EASILY PORTABLE – Easy and safe handling with two stainless steel handles on the device sides.



TECHNICAL PARAMETERS

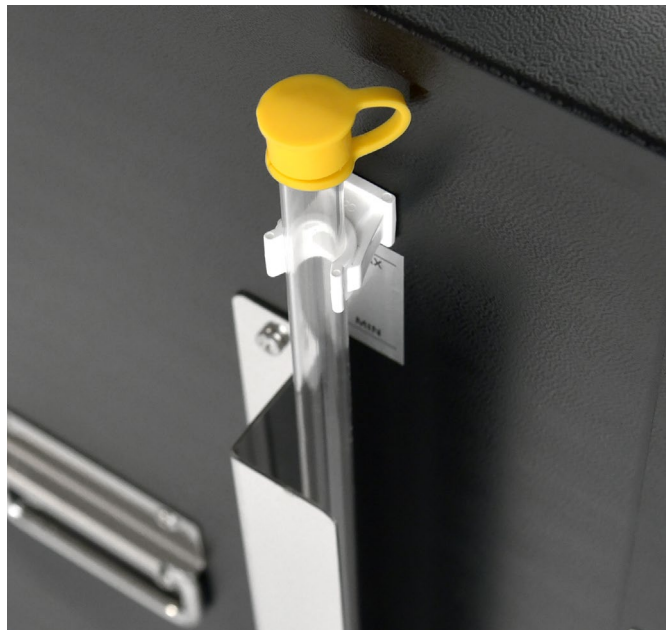
PRODUCT MODEL	AS-40 NEW 2X COILS GL	AS-40 GLYCOL NEW GL	AS-80 NEW 2X COILS GL	AS-80 NEW 4X COILS GL
COOLING POWER OF THE COMPRESSOR (HP)	1/8	1/8	1/4	1/4
COOLING POWER OF THE COMPRESSOR (W)	310	310	630	630
MAXIMUM COOLING CAPACITY TO 0°C / TK 45°C (L/HOUR)	40	40	80	80
CONTINUOUS COOLING PERFORMANCE (L/HOUR)	25	25	45	45
THERMAL GRADIENT ΔT (°C)	10	10	10	10
AIR COMPRESSOR	-	-	-	-
ICE BANK (KG)	4-8	-	5-10	5-10
DISPLACEMENT OF RECIRCULATION PUMP (M)	1,2	6	6	6
RECIRCULATION CONNECTION (FITTINGS)	1/2	1/2	1/2	1/2
NUMBER OF COOLED BEVERAGES (PCS)	2	-	2	4
LENGTH OF COOLING COILS (M)	2X8	-	2X11,0	2X11,0/ 2X8,0
DIAMETER OF COOLING COIL (MM)	7X8	-	7X8	7X8
POWER (W)	322	437	506	506
AMPERAGE (A)	1,40	1,90	2,20	2,20
NET WEIGHT (KG)	17,5	19,0	27,5	30,0
REFRIGERANT TYPE	R290	R290	R290	R290
VOLTAGE (V)	220-240V 50HZ~1	220-240V 50HZ~1	220-240V 50HZ~1	220-240V 50HZ~1
BEVERAGE CONNECTION (FITTINGS)	9,5MM (3/8")	-	9,5MM (3/8")	9,5MM (3/8")
AIR CONNECTION (FITTINGS)	-	-	-	-
WATER DRAIN WITH WATERMARK	YES	YES	YES	YES
CUSTOMIZED OPTIONS				
CHOICE OF TAP	NO	NO	NO	NO
STAINLESS STEEL SCREWING	NO	NO	NO	NO
POWER CABLE PLUG	YES	YES	YES	YES
DIGITAL THERMOSTAT	YES	YES	YES	YES

A proven series of water coolers with an ice bank designed for medium-sized restaurants, pubs and other hospitality facilities.



AS-110 NEW SERIES

The under-table water coolers feature standard cooling technology using an ice bank. The same applies to the AS-110 NEW GREEN LINE coolers, which are primarily used by medium-sized pubs and restaurants, at beer festivals or larger events. The design makes it easy to install, e.g. under the bar or in other premises. Their compact size, a drain valve to easily drain the water from the equipment, and a water gauge to keep track of the water level are a great asset. The AS-110 series coolers come in the following versions: with two, four or six cooling coils. The number of coils equals the number of beverages that can be cooled at the same time.



- < < AS-110 NEW GREEN LINE 2x coils
EASILY PORTABLE – Easy and safe handling with two stainless steel handles on the device sides.
- < AS-110 NEW GREEN LINE 2x coils
DRAIN VALVE WITH LEVEL GAUGE – The cooler is fitted with a drain valve that allows easy draining of water from the unit and the water level gauge to keep track of the level.

| BENEFITS AND USEFUL FEATURES

INNOVATION – All of our watercoolers undergo continuous development and meet all the latest safety standards and certifications (Czech and European).

AS TECHNOLOGY – Water cooling technology with an ice bank, where full ice supply provides maximum cooling performance.

PERFORMANCE – The AS NEW GREEN LINE tapping equipment, with its increased continuous output, allows for the continuous serving of quality chilled beverages in quantities corresponding to their numerical marking in litres.

AGITATOR PUMP – The cooler incorporates an agitator pump with an aftercooling pump with a discharge of 6 m.

GREEN LINE – The LINDR GREEN LINE technology is environmentally friendly thanks to the use of the eco-friendly refrigerant R-290. Thanks to this design, each product achieves 20% higher energy efficiency and 20% lower power consumption. We have introduced an energy saving system in the production.

DURABLE SURFACE – The cooler is made of highly durable zinc sheet with PVC coated surface.

CONSTRUCTION AND SERVICE – The modern layout of the cooling technology guarantees easy accessibility for any service and maintenance.

EQUIPMENT – Standard features include a thermostat for smooth and precise beverage temperature control, a cooling coil and quick couplers.

COMPACT DESIGN – The AS series coolers have the best performance, size and price ratio on the market.



- ^ AS-110 NEW GREEN LINE SERIES
THERMAL REGULATION – Thermostat for smooth and precise beverage temperature control is a standard part.

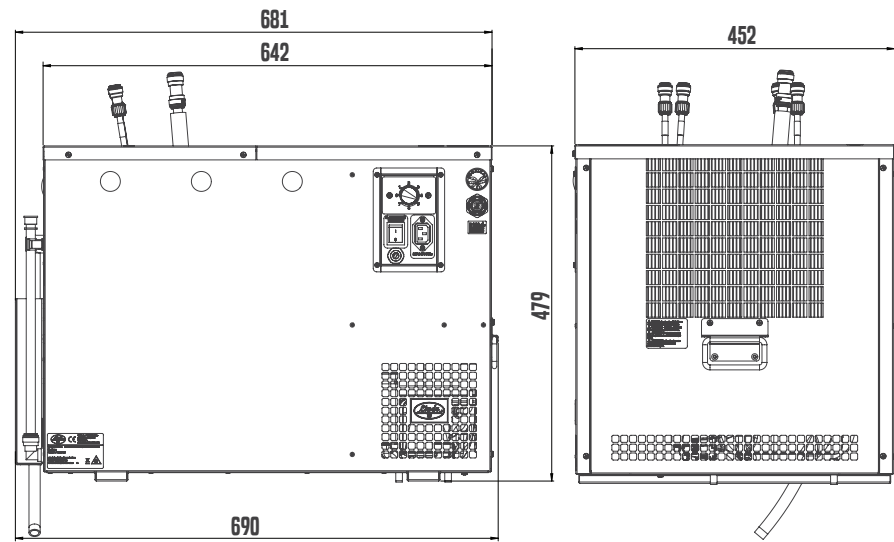
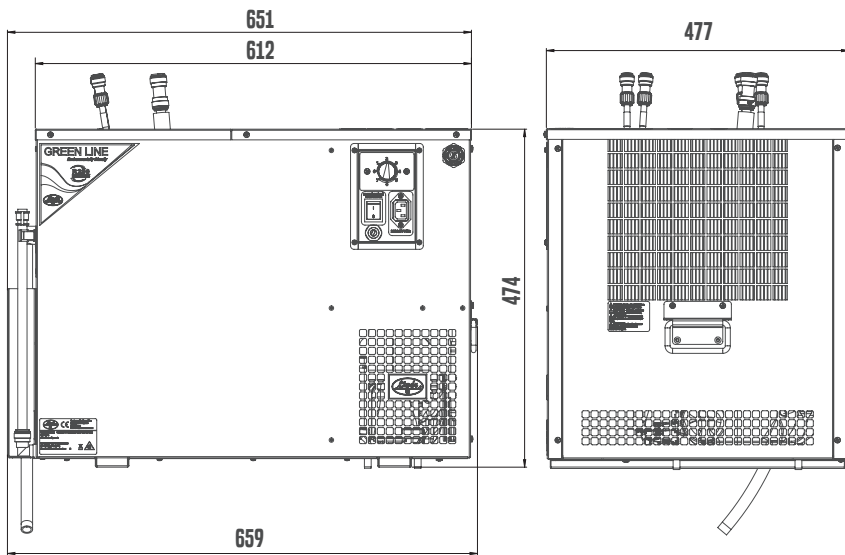
- v AS-110 NEW GREEN LINE SERIES
DURABLE SURFACE – The cooler is made of highly durable zinc sheet with PVC coated surface.



AS-110 NEW GREEN LINE  2X COILS



AS-110 INOX TROPICAL NEW GREEN LINE  2X COILS



Professional under-counter beer coolers use a water exchanger for cooling, from which the evaporator forms an ice bank.



AS-110 INOX TROPICAL NEW SERIES

A proven series of water coolers with an ice bank designed for medium-sized restaurants, pubs and other hospitality facilities. The design makes it easy to install, e.g. under the bar or in other premises. The AS-110 INOX Tropical NEW GREEN LINE series coolers come in the following versions: with two or four cooling coils. The number of coils equals the number of beverages that can be cooled at the same time.

TROPICAL CONDITIONS

AS INOX TROPICAL features a thickened 45 mm insulation, even on the top cover, and is designed for extreme tropical conditions. This device can fully function even at ambient temperatures of up to 45°C.



^ AS-110 NEW GREEN LINE 2x coils

DRAIN VALVE WITH LEVEL GAUGE – The cooler is fitted with a drain valve that allows easy draining of water from the unit and the water level gauge to keep track of the level.



| BENEFITS AND USEFUL FEATURES

TROPICAL CONDITIONS – AS INOX TROPICAL features a thickened 45 mm insulation, even on the top cover, and is designed for extreme tropical conditions. This device can fully function even at ambient temperatures of up to 45°C.

INNOVATION – All of our water coolers undergo continuous development and meet all the latest safety standards and certifications (Czech and European).

AS TECHNOLOGY – Water cooling technology with an ice bank, where full ice supply provides maximum cooling performance.

OUTPUT – The AS INOX Tropical NEW GREEN LINE tapping equipment, with its increased continuous output, allows for the continuous serving of quality chilled beverages in quantities corresponding to their numerical marking in litres.

AGITATOR PUMP – The cooler incorporates an agitator pump with an aftercooling pump with a discharge of 6 m.

GREEN LINE – The LINDR GREEN LINE technology is environmentally friendly thanks to the use of the eco-friendly refrigerant R-290. Thanks to this design, each product achieves 20% higher energy efficiency and 20% lower power consumption. We have introduced an energy saving system in the production.

CONSTRUCTION AND SERVICE – The modern layout of the cooling technology guarantees easy accessibility for any service and maintenance.

EQUIPMENT – Standard features include a thermostat for smooth and precise beverage temperature control, a cooling coil and quick couplers.

COMPACT DESIGN – The AS series coolers have the best output, size and price ratio on the market.



^ AS-110 INOX TROPICAL NEW GREEN LINE SERIES
THERMAL REGULATION – Thermostat for smooth and precise beverage temperature control is a standard part.

∨ TROPICAL CONDITIONS – AS INOX TROPICAL features a thickened 45 mm insulation, even on the top cover, and is designed for extreme tropical conditions. This device can fully function even at ambient temperatures of up to 45°C.



TECHNICAL PARAMETERS

PRODUCT MODEL	AS-110 NEW 2X COILS GL	AS-110 NEW 4X COILS GL	AS-110 NEW 6X COILS GL	AS-110 INOX TROPICAL NEW 2X COILS GL	AS-110 INOX TROPICAL NEW 4X COILS GL
COOLING POWER OF THE COMPRESSOR (HP)	1/3	1/3	1/3	1/3	1/3
COOLING POWER OF THE COMPRESSOR (W)	860	860	860	860	860
MAXIMUM COOLING CAPACITY TO 0°C / TK 45°C (L/HOUR)	110	110	110	110	110
CONTINUOUS COOLING PERFORMANCE (L/HOUR)	60	60	60	60	60
THERMAL GRADIENT ΔT (°C)	10	10	10	10	10
AIR COMPRESSOR	-	-	-	-	-
ICE BANK (KG)	10-20	10-20	10-20	10-20	10-20
DISPLACEMENT OF RECIRCULATION PUMP (M)	6	6	6	6	6
RECIRCULATION CONNECTION (FITTINGS)	1/2	1/2	1/2	1/2	1/2
NUMBER OF COOLED BEVERAGES (PCS)	2	4	6	2	4
LENGTH OF COOLING COILS (M)	2X14,0	2X14, 2X11	2X14, 2X11, 2X8	2X14	2X14, 2X11
DIAMETER OF COOLING COIL (MM)	7X8	7X8	7X8	7X8	7X8
POWER (W)	621	621	621	621	621
AMPERAGE (A)	2,70	2,70	2,70	2,70	2,70
NET WEIGHT (KG)	28,5	31,0	33,0	34,0	36,5
REFRIGERANT TYPE	R290	R290	R290	R290	R290
VOLTAGE (V)	220-240V 50HZ-1	220-240V 50HZ-1	220-240V 50HZ-1	220-240V 50HZ-1	220-240V 50HZ-1
BEVERAGE CONNECTION (FITTINGS)	9,5MM (3/8")	9,5MM (3/8")	9,5MM (3/8")	9,5MM (3/8")	9,5MM (3/8")
AIR CONNECTION (FITTINGS)	-	-	-	-	-
WATER DRAIN WITH WATERMARK	YES	YES	YES	YES	YES
CUSTOMIZED OPTIONS					
CHOICE OF TAP	NO	NO	NO	NO	NO
STAINLESS STEEL SCREWING	NO	NO	NO	NO	NO
POWER CABLE PLUG	YES	YES	YES	YES	YES
DIGITAL THERMOSTAT	YES	YES	YES	YES	YES

AS INOX TROPICAL features a thickened 45 mm insulation, even on the top cover, and is designed for extreme tropical conditions. This device can fully function even at ambient temperatures of up to 45°C.



AS-110 INOX TROPICAL NEW 3X TAP

The AS-110 INOX Tropical NEW GREEN LINE water coolers are fitted with standard cooling technology using an ice bank, and they are primarily used in medium-sized pubs and restaurants, at beer festivals and larger events. Their compact size, a drain valve to easily drain water from the equipment, and a water gauge to keep track of the contents are a great asset. The coolers are fitted with taps with compensator to regulate the flow rate of the beverage, drip tray.



- ^ AS-110 INOX TROPICAL NEW GREEN LINE 3x tap
EASILY PORTABLE – Easy and safe handling with two stainless steel handles on the device sides.
- ✓ DRAIN VALVE WITH LEVEL GAUGE – The cooler is fitted with a drain valve that allows easy draining of water from the unit and the water level gauge to keep track of the level.



DISPENSING TAPS

The coolers are fitted with taps with compensator to regulate the flow rate of the beverage, drip tray.



The coolers are fitted with taps with compensator to regulate the flow rate of the beverage, drip tray.



AS-160 INOX TROPICAL NEW 4X TAP

The water coolers feature standard cooling technology using an ice bank. The same applies to the AS-160 INOX Tropical NEW GREEN LINE coolers, which are primarily used by large pubs and restaurants, at beer festivals or large events. The design makes it easy to install, e.g. under the bar or in other premises. Their compact size, a drain valve to easily drain the water from the equipment, and a water gauge to keep track of the water level are a great asset. The AS-160 series coolers come in the following versions: with four, six or eight cooling coils. The number of coils equals the number of beverages that can be cooled at the same time.



<< AS-160 INOX TROPICAL NEW GREEN LINE 4x TAP
EASILY PORTABLE – Easy and safe handling with two stainless steel handles on the device sides.

< AS-160 INOX TROPICAL NEW GREEN LINE 4x TAP
DRAIN VALVE WITH LEVEL GAUGE – The cooler is fitted with a drain valve that allows easy draining of water from the unit and the water level gauge to keep track of the level.

| BENEFITS AND USEFUL FEATURES

TROPICAL CONDITIONS – AS INOX TROPICAL features a thickened 45 mm insulation, even on the top cover, and is designed for extreme tropical conditions. This device can fully function even at ambient temperatures of up to 45°C.

INNOVATION – All of our water coolers undergo continuous development and meet all the latest safety standards and certifications (Czech and European).

AS TECHNOLOGY – Water cooling technology with an ice bank, where full ice supply provides maximum cooling performance.

OUTPUT – The AS INOX Tropical NEW GREEN LINE tapping equipment, with its increased continuous output, allows for the continuous serving of quality chilled beverages in quantities corresponding to their numerical marking in litres.

IMMERSION PUMP – The immersion pump ensures an even temperature throughout the water bath.

GREEN LINE – The LINDR GREEN LINE technology is environmentally friendly thanks to the use of the eco-friendly refrigerant R-290. Thanks to this design, each product achieves 20% higher energy efficiency and 20% lower power consumption. We have introduced an energy saving system in the production.

CONSTRUCTION AND SERVICE – The modern layout of the cooling technology guarantees easy accessibility for any service and maintenance.

EQUIPMENT – Standard features include a thermostat for smooth and precise beverage temperature control, a cooling coil and quick couplers.

COMPACT DESIGN – The AS series coolers have the best output, size and price ratio on the market.

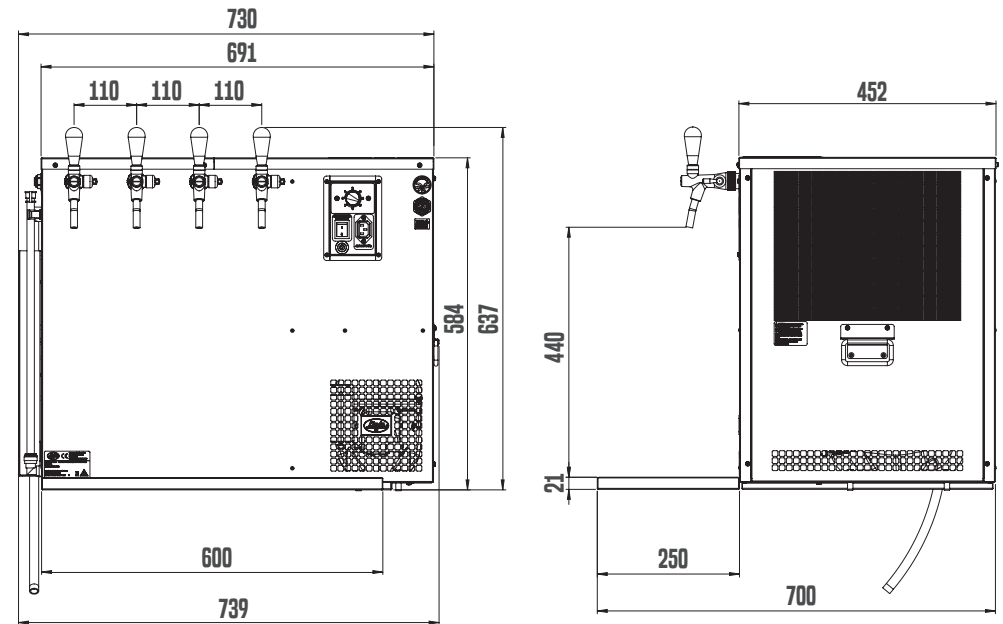
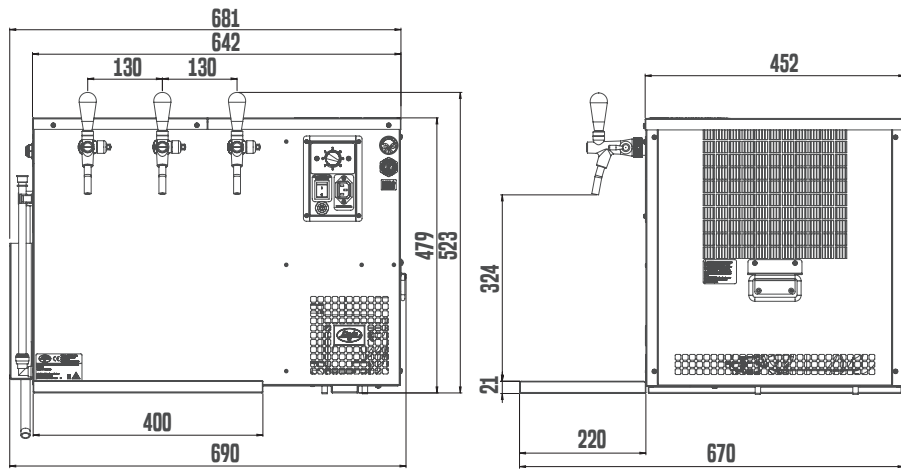


^ AS-160 INOX TROPICAL NEW GREEN LINE 4x kohout
DISPENSING TAPS – The coolers are fitted with taps with
compensator to regulate the flow rate of the beverage.

AS-110 INOX TROPICAL NEW GREEN LINE  3X TAP



AS-160 INOX TROPICAL NEW GREEN LINE  4X TAP



TECHNICAL PARAMETERS

PRODUCT MODEL	AS-110 INOX TROPICAL NEW 3X KOHOUT GL	AS-160 INOX TROPICAL NEW 4X KOHOUT GL
COOLING POWER OF THE COMPRESSOR (HP)	1/3	3/4
COOLING POWER OF THE COMPRESSOR (W)	860	1550
MAXIMUM COOLING CAPACITY TO 0°C / TK 45°C (L/HOUR)	110	160
CONTINUOUS COOLING PERFORMANCE (L/HOUR)	60	110
THERMAL GRADIENT ΔT (°C)	10	10
AIR COMPRESSOR	-	-
ICE BANK (KG)	10-20	10-30
DISPLACEMENT OF RECIRCULATION PUMP (M)	-	-
RECIRCULATION CONNECTION (FITTINGS)	-	-
NUMBER OF COOLED BEVERAGES (PCS)	3	4
LENGTH OF COOLING COILS (M)	1X22, 2X14	2X19, 2X14
DIAMETER OF COOLING COIL (MM)	7X8	7X8
POWER (W)	621	828
AMPERAGE (A)	2,70	3,60
NET WEIGHT (KG)	37,5	47,5
REFRIGERANT TYPE	R290	R290
VOLTAGE (V)	220-240V 50HZ~1	220-240V 50HZ~1
BEVERAGE CONNECTION (FITTINGS)	9,5MM (3/8")	9,5MM (3/8")
AIR CONNECTION (FITTINGS)	-	-
WATER DRAIN WITH WATERMARK	YES	YES
CUSTOMIZED OPTIONS		
CHOICE OF TAP	YES	YES
STAINLESS STEEL SCREWING	YES	YES
POWER CABLE PLUG	YES	YES
DIGITAL THERMOSTAT	YES	YES



The highest series of water coolers with an ice bank designed for large restaurants, pubs and other hospitality facilities.

AS-160 INOX TROPICAL NEW SERIES

The under-table water coolers feature standard cooling technology using an ice bank. The same applies to the AS-160 INOX Tropical NEW GREEN LINE coolers, which are primarily used by large pubs and restaurants, at beer festivals or large events. The design makes it easy to install, e.g. under the bar or in other premises. Their compact size, a drain valve to easily drain the water from the equipment, and a water gauge to keep track of the water level are a great asset. The AS-160 series coolers come in the following versions: with four, six or eight cooling coils. The number of coils equals the number of beverages that can be cooled at the same time.



TROPICAL CONDITIONS

AS INOX TROPICAL features a thickened 45 mm insulation, even on the top cover, and is designed for extreme tropical conditions. This device can fully function even at ambient temperatures of up to 45°C.



^ AS-160 INOX TROPICAL NEW GREEN LINE 4x coils
DRAIN VALVE WITH LEVEL GAUGE – The cooler is fitted with a drain valve that allows easy draining of water from the unit and the water level gauge to keep track of the level.



| BENEFITS AND USEFUL FEATURES

TROPICAL CONDITIONS – AS INOX TROPICAL features a thickened 45 mm insulation, even on the top cover, and is designed for extreme tropical conditions. This device can fully function even at ambient temperatures of up to 45°C.

INNOVATION – All of our water coolers undergo continuous development and meet all the latest safety standards and certifications (Czech and European).

AS TECHNOLOGY – Water cooling technology with an ice bank, where full ice supply provides maximum cooling performance.

OUTPUT – The AS NEW GREEN LINE tapping equipment, with its increased continuous output, allows for the continuous serving of quality chilled beverages in quantities corresponding to their numerical marking in litres.

AGITATOR PUMP – The cooler incorporates an agitator pump with an aftercooling pump with a discharge of 8 m.

GREEN LINE – The LINDR GREEN LINE technology is environmentally friendly thanks to the use of the eco-friendly refrigerant R-290. Thanks to this design, each product achieves 20% higher energy efficiency and 20% lower power consumption. We have introduced an energy saving system in the production.

CONSTRUCTION AND SERVICE – The modern layout of the cooling technology guarantees easy accessibility for any service and maintenance.

EQUIPMENT – Standard features include a thermostat for smooth and precise beverage temperature control, a cooling coil and quick couplers.

COMPACT DESIGN – The AS series coolers have the best output, size and price ratio on the market.



^ AS-160 INOX TROPICAL NEW GREEN LINE SERIES
THERMAL REGULATION – Thermostat for smooth and precise beverage temperature control is a standard part.

v AS-160 INOX TROPICAL NEW GREEN LINE SERIES
EASILY PORTABLE – Easy and safe handling with two stainless steel handles on the device sides.



The AS-200 NEW GREEN LINE series has an ice bank and represents Lindr's most powerful water coolers to date.



AS-200 NEW SERIES

The AS-200 NEW GREEN LINE series includes the most powerful under-table water coolers we currently have on offer. They feature standard cooling technology using an ice bank, and are used in the biggest pubs and restaurants, at beer festivals, and really big events. The design makes them easy to install, e.g. under the bar or in other premises. Their compact size, a drain valve to easily drain the water from the equipment, and a water gauge to keep track of the contents are a great asset. The AS-200 series coolers come in the following versions: with two, four, six, or eight cooling coils. The number of the coils equals the number of beverages that can be cooled at any one time.



- < < AS-200 NEW GREEN LINE 4x coils
EASILY PORTABLE – Easy and safe handling with two stainless steel handles on the device sides.
- < AS-200 NEW GREEN LINE 4x coils
DRAIN VALVE WITH LEVEL GAUGE – The cooler is fitted with a drain valve that allows easy draining of water from the unit and the water level gauge to keep track of the level.

| BENEFITS AND USEFUL FEATURES

INNOVATION – All of our contact coolers undergo continuous development and meet all the latest safety standards and certifications (Czech and European).

AS TECHNOLOGY – Water cooling technology with an ice bank, where full ice supply provides maximum cooling performance.

OUTPUT – The AS NEW GREEN LINE tapping equipment, with its increased continuous output, allows for the continuous serving of quality chilled beverages in quantities corresponding to their numerical marking in litres.

AGITATOR PUMP – The cooler incorporates an agitator pump with an aftercooling pump with a discharge of 8 m.

GREEN LINE – The LINDR GREEN LINE technology is environmentally friendly thanks to the use of the eco-friendly refrigerant R-290. Thanks to this design, each product achieves 20% higher energy efficiency and 20% lower power consumption. We have introduced an energy saving system in the production.

DURABLE SURFACE – The cooler is made of highly durable zinc sheet with PVC coated surface.

CONSTRUCTION AND SERVICE – The modern layout of the cooling technology guarantees easy accessibility for any service and maintenance.

EQUIPMENT – Standard features include a thermostat for smooth and precise beverage temperature control, a cooling coil and quick couplers.

COMPACT DESIGN – The AS series coolers have the best output, size and price ratio on the market.



^ AS-200 NEW GREEN LINE SERIES

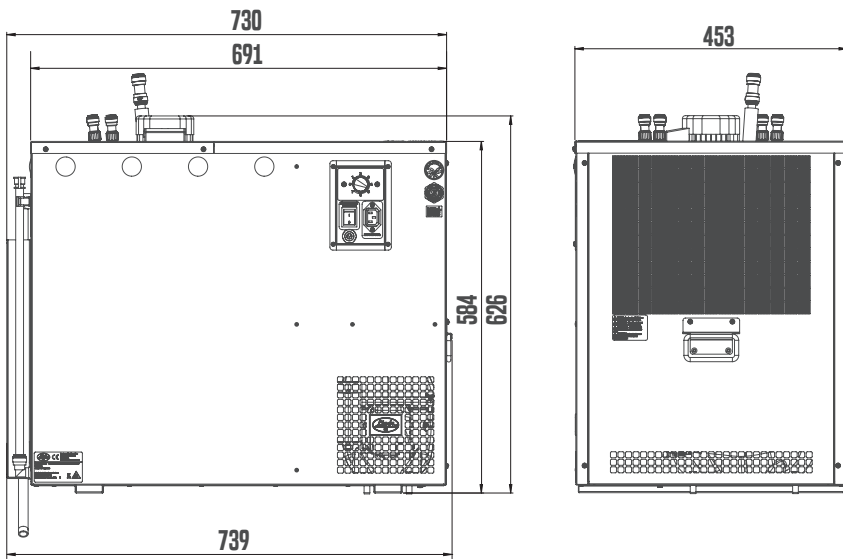
THERMAL REGULATION – Thermostat for smooth and precise beverage temperature control is a standard part.

∨ AS-200 NEW GREEN LINE SERIES

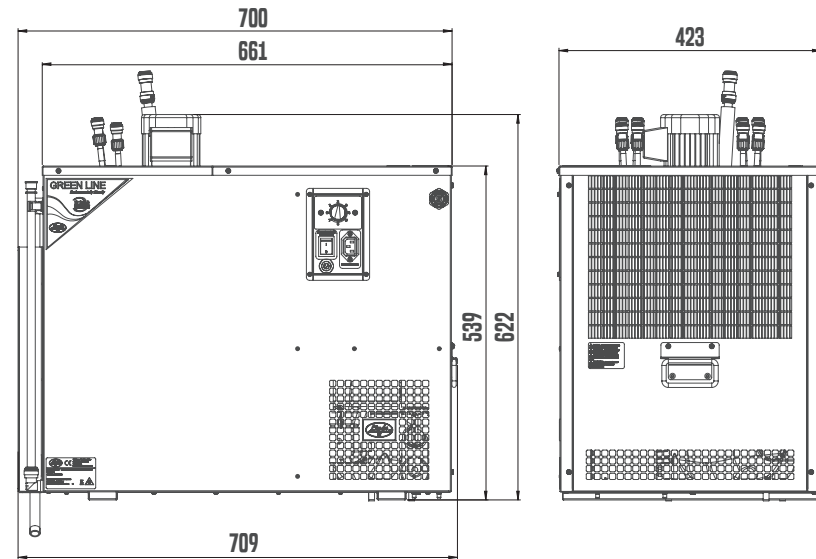
DURABLE SURFACE – The cooler is made of highly durable zinc sheet with PVC coated surface.



AS-160 INOX TROPICAL NEW GREEN LINE  4X COILS



AS-200 NEW GREEN LINE  4X COILS



TECHNICAL PARAMETERS

PRODUCT MODEL	AS-160 INOX TROPICAL NEW 4X COILS GL	AS-160 INOX TROPICAL NEW 6X COILS GL	AS-160 INOX TROPICAL NEW 8X COILS GL	AS-200 NEW 4X COILS GL	AS-200 NEW 6X COILS GL	AS-200 NEW 8X COILS GL
COOLING POWER OF THE COMPRESSOR (HP)	3/4	3/4	3/4	3/4	3/4	3/4
COOLING POWER OF THE COMPRESSOR (W)	1550	1550	1550	2000	2000	2000
MAXIMUM COOLING CAPACITY TO 0°C / TK 45°C (L/HOUR)	160	160	160	200	200	200
CONTINUOUS COOLING PERFORMANCE (L/HOUR)	110	110	110	150	150	150
THERMAL GRADIENT ΔT (°C)	10	10	10	10	10	10
AIR COMPRESSOR	-	-	-	-	-	-
ICE BANK (KG)	10-30	10-30	10-30	10-30	10-30	10-30
DISPLACEMENT OF RECIRCULATION PUMP (M)	8	8	8	8	8	8
RECIRCULATION CONNECTION (FITTINGS)	1/2	1/2	1/2	1/2	1/2	1/2
NUMBER OF COOLED BEVERAGES (PCS)	4	6	8	4	6	8
LENGTH OF COOLING COILS (M)	2X19, 2X14	2X19, 2X14, 2X10	2X14, 2X10, 4X9,5	2X19, 2X14	2X19, 2X14, 2X10	2X14, 2X10, 4X9,5
DIAMETER OF COOLING COIL (MM)	7X8	7X8	7X8	7X8	7X8	7X8
POWER (W)	828	828	828	575	575	575
AMPERAGE (A)	3,60	3,60	3,60	2,50	2,50	2,50
NET WEIGHT (KG)	46,0	48,0	48,0	45,5	47,5	47,5
REFRIGERANT TYPE	R290	R290	R290	R290	R290	R290
VOLTAGE (V)	220-240V 50HZ~1	220-240V 50HZ~1	220-240V 50HZ~1	220-240V 50HZ~1	220-240V 50HZ~1	220-240V 50HZ~1
BEVERAGE CONNECTION (FITTINGS)	9,5MM (3/8")	9,5MM (3/8")	9,5MM (3/8")	9,5MM (3/8")	9,5MM (3/8")	9,5MM (3/8")
AIR CONNECTION (FITTINGS)	-	-	-	-	-	-
WATER DRAIN WITH WATERMARK	YES	YES	YES	YES	YES	YES
CUSTOMIZED OPTIONS						
CHOICE OF TAP	NO	NO	NO	NO	NO	NO
STAINLESS STEEL SCREWING	NO	NO	NO	NO	NO	NO
POWER CABLE PLUG	YES	YES	YES	YES	YES	YES
DIGITAL THERMOSTAT	YES	YES	YES	YES	YES	YES

DISPENSING EQUIPMENT CWP



QUALITY INNOVATION PERFORMANCE DESIGN

Innovative cooler solution for professional use. It combines the advantages of contact and water coolers, does not work with ice and can transfer energy very quickly. As a result, it has a higher output than water AS range together with lower consumption.

The ideal combination of the advantages of dry contact and water coolers – unique CWP technology.



CWP NEW SERIES

An innovative cooler design for professional use where rapid cooling and maintaining a constant temperature at elevated flow rates is required. It combines the advantages of dry contact and water coolers. It uses the direct energy of the evaporator to cool the beverage line, which offers constant output without the use of an icebank. The cooling unit operates in an optimum mode for maximum energy saving compared to conventional coolers available on the market. The coolers are designed for both “under counter” installation, i.e. under tap counters or bars, and as mobile tap equipment.



TECHNOLOGY CWP & BENEFITS

The ideal combination of the advantages of dry contact and water coolers – unique CWP technology.



- ^ CWP 100 NEW GREEN LINE 3x coils
ACCESSORIES – A thermostat for smooth and precise beverage temperature control, a cooling coil and speed fittings are standard parts.
- ∨ THERMAL REGULATION – Thermostat for smooth and precise beverage temperature control is a standard part.





| BENEFITS AND USEFUL FEATURES

INNOVATION – All our coolers undergo continuous development and meet all the latest safety standards and certifications (Czech and European).

CWP TECHNOLOGY – CWP stands for Contact Water Power. It is a unique thermoblock design, developed by our company, that combines the advantages of dry contact and water coolers. The evaporator is in direct contact with the beverage line and can react immediately to increased beverage flow. The time needed for cooling is only about 30–40 minutes from turning on the device.

GREEN LINE – LINDR GREEN LINE technology is environmentally friendly thanks to the use of the environmentally friendly refrigerant R-290. Thanks to this design, each product achieves 20% higher energy efficiency and 20% lower electricity consumption. In its production we carry out systemic energy saving.

PERFORMANCE – CWP NEW GREEN LINE enables, thanks to the increased continuous output, the dispensing of quality chilled beverages in quantities corresponding to their numerical designation in litres.

CONSTRUCTION AND SERVICE – The modern layout of the cooling technology guarantees easy accessibility for service and maintenance.

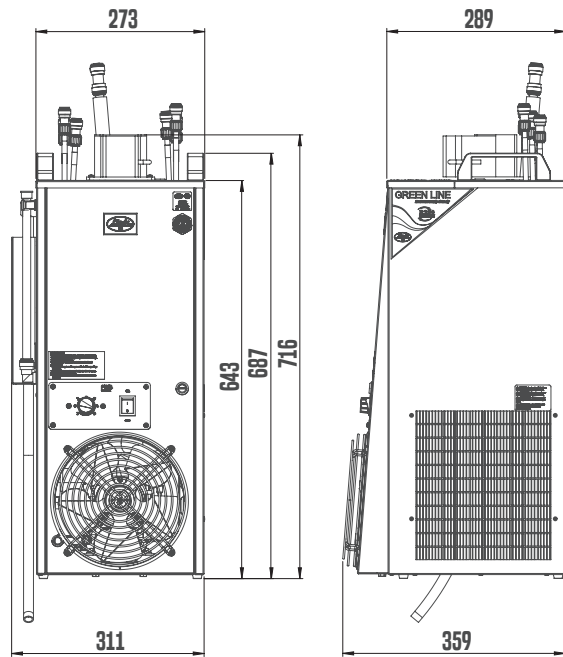
ACCESSORIES – A thermostat for smooth and precise beverage temperature control, a cooling coil and speed fittings are standard parts.

TOTAL COMPATIBILITY – CWP line coolers have the best performance, size and price ratio on the market.

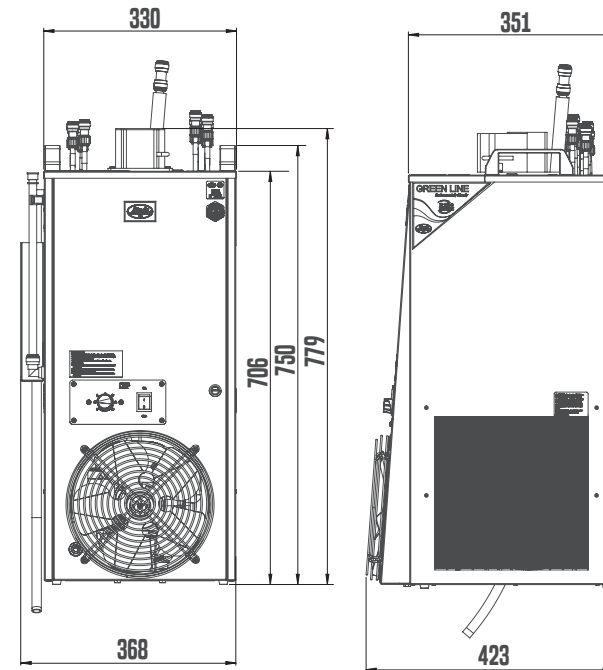
^ CWP 100 NEW GREEN LINE 3x coils

DRAIN VALVE WITH WATERMARK – The cooler is equipped with a drain valve that allows easy draining of water from the unit and a watermark to see the liquid level.

CWP 100 NEW GREEN LINE  3X COILS



CWP 200 NEW GREEN LINE  4X COILS



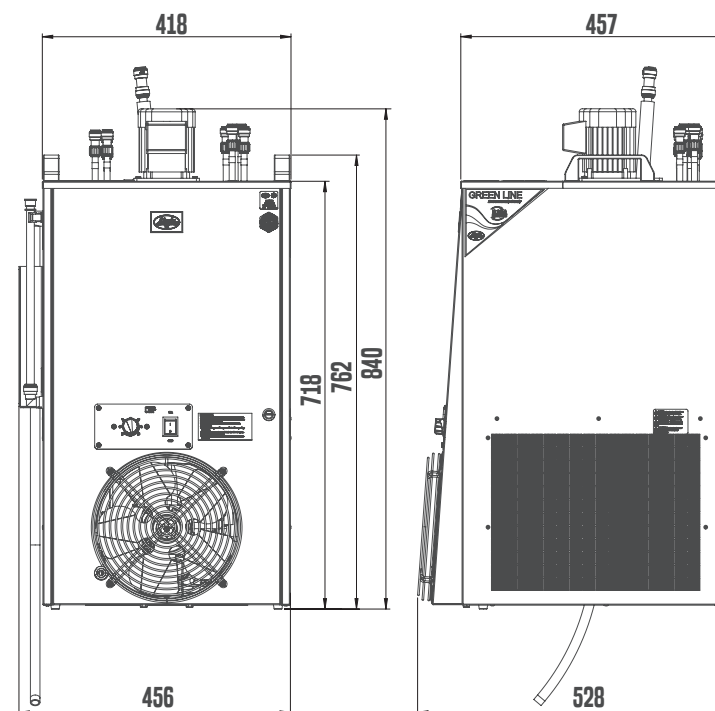


CWP 300 NEW GREEN LINE 4X COILS



^ CWP 300 NEW GREEN LINE 4-8x coils

The CWP 300 GREEN LINE undercounter cooler is a professional device combining the advantages of contact and water coolers by using direct evaporator energy to cool the beverage line, offering constant operation without the use of an ice supply. Thanks to these features, the device can be cooled down quickly while maintaining a constant temperature at increased flow rates. The number of loops indicates the number of drinks that can be chilled at the same time. We pride ourselves on quality workmanship and perfect design, but also on high performance with compact dimensions.



TECHNICAL PARAMETERS

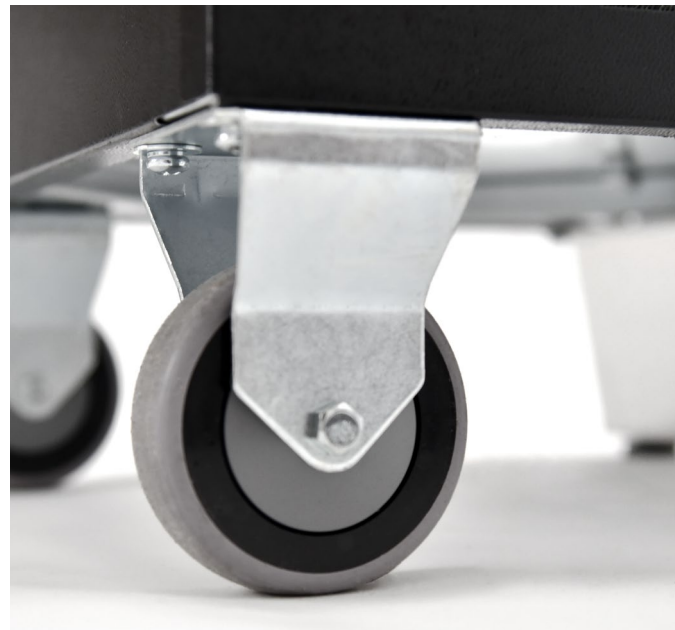
PRODUCT MODEL	CWP 100 NEW 3X COILS GL	CWP 200 NEW 4X COILS GL	CWP 200 NEW 6X COILS GL	CWP 300 NEW 4X COILS GL	CWP 300 NEW 6X COILS GL	CWP 300 NEW 8X COILS GL
COOLING POWER OF THE COMPRESSOR (HP)	1/3	3/4	3/4	1	1	1
COOLING POWER OF THE COMPRESSOR (W)	860	1550	1550	2360	2360	2360
MAXIMUM COOLING CAPACITY TO 0°C / TK 45°C (L/HOUR)	90	140	140	200	200	200
CONTINUOUS COOLING PERFORMANCE (L/HOUR)	70	120	120	180	180	180
THERMAL GRADIENT ΔT (°C)	10	10	10	10	10	10
AIR COMPRESSOR	-	-	-	-	-	-
ICE BANK (KG)	0-2	0-5	0-5	0-5	0-5	0-5
DISPLACEMENT OF RECIRCULATION PUMP (M)	6	6	6	8	8	8
RECIRCULATION CONNECTION (FITTINGS)	1/2	1/2	1/2	1/2	1/2	1/2
NUMBER OF COOLED BEVERAGES (PCS)	3	4	6	4	6	8
LENGTH OF COOLING COILS (M)	3X14,0	2X20, 2X10	2X20, 4X10	4X20	4X20, 2X14,5	4X20, 2X14,5, 2X11
DIAMETER OF COOLING COIL (MM)	7X8	7X8	7X8	7X8	7X8	7X8
POWER (W)	575	874	874	1081	1081	1081
AMPERAGE (A)	2,50	3,80	3,80	4,70	4,70	4,70
NET WEIGHT (KG)	28,0	38,5	40,5	46,5	47,5	51,5
REFRIGERANT TYPE	R290	R290	R290	R290	R290	R290
VOLTAGE (V)	220-240V 50HZ~1	220-240V 50HZ~1	220-240V 50HZ~1	220-240V 50HZ~1	220-240V 50HZ~1	220-240V 50HZ~1
BEVERAGE CONNECTION (FITTINGS)	9,5MM (3/8")	9,5MM (3/8")	9,5MM (3/8")	9,5MM (3/8")	9,5MM (3/8")	9,5MM (3/8")
AIR CONNECTION (FITTINGS)	-	-	-	-	-	-
WATER DRAIN WITH WATERMARK	YES	YES	YES	YES	YES	YES
CUSTOMIZED OPTIONS						
CHOICE OF TAP	NO	NO	NO	NO	NO	NO
STAINLESS STEEL SCREWING	NO	NO	NO	NO	NO	NO
POWER CABLE PLUG	YES	YES	YES	YES	YES	YES
DIGITAL THERMOSTAT	YES	YES	YES	YES	YES	YES

The ideal combination of the advantages of dry contact and water coolers – unique CWP technology.



CWP NEW MOBILE SERIES

The mobile cooler from the CWP NEW GREEN LINE is a perfect to use for events, trade fairs or sporting events thanks to its mobility, a tap stand with advertising plaque and a work surface with a drip plate. It is a professional device combining the advantages of contact and water coolers by using direct evaporator energy to cool the beverage line, offering constant performance without the use of an ice supply. Thanks to these features, the device can be cooled down quickly while maintaining a constant temperature at increased flow rates. We pride ourselves on quality workmanship and perfect design, but also on high performance with compact dimensions.



- ^ CWP NEW GREEN LINE Mobile SERIES
DRAIN VALVE WITH WATERMARK – The cooler is equipped with a drain valve that allows easy draining of water from the unit and a watermark to see the liquid level.
- << CWP 200 NEW GREEN LINE Mobile
EASY MANIPULATION – Built-in wheels and side handles make the device easy to transport.

| BENEFITS AND USEFUL FEATURES

INNOVATION – All our coolers undergo continuous development and meet all the latest safety standards and certifications (Czech and European).

CWP TECHNOLOGY – CWP stands for Contact Water Power. It is a unique thermoblock design, developed by our company, that combines the advantages of dry contact and water coolers. The evaporator is in direct contact with the beverage line and can react immediately to increased beverage flow. The time needed for cooling is only about 30–40 minutes from turning on the device.

GREEN LINE – LINDR GREEN LINE technology is environmentally friendly thanks to the use of the environmentally friendly refrigerant R-290. Thanks to this design, each product achieves 20% higher energy efficiency and 20% lower electricity consumption. In its production we carry out systemic energy saving.

PERFORMANCE – CWP NEW GREEN LINE enables, thanks to the increased continuous output, the dispensing of quality chilled beverages in quantities corresponding to their numerical designation in litres.

CONSTRUCTION AND SERVICE – The modern layout of the cooling technology guarantees easy accessibility for service and maintenance.

ACCESSORIES – A thermostat for smooth and precise beverage temperature control, a cooling coil and speed fittings are standard parts.

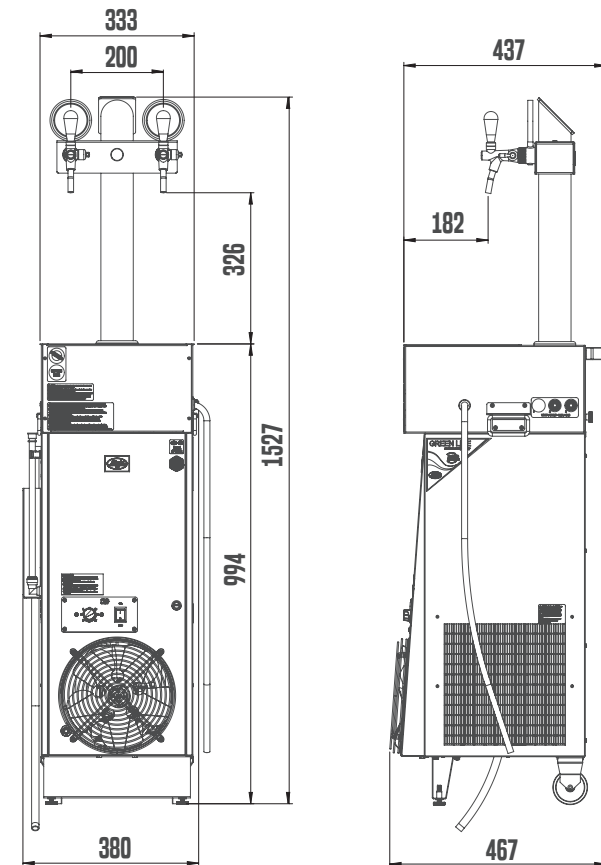
TOTAL COMPATIBILITY – CWP line coolers have the best performance, size and price ratio on the market.



- ^ CWP 200 NEW GREEN LINE Mobile
EASY CONNECTION - Each dispensing machine is equipped with a speed fittings for easy connection of tubes.
- v CWP NEW GREEN LINE Mobile SERIES
THERMAL REGULATION – Thermostat for smooth and precise beverage temperature control is a standard part.

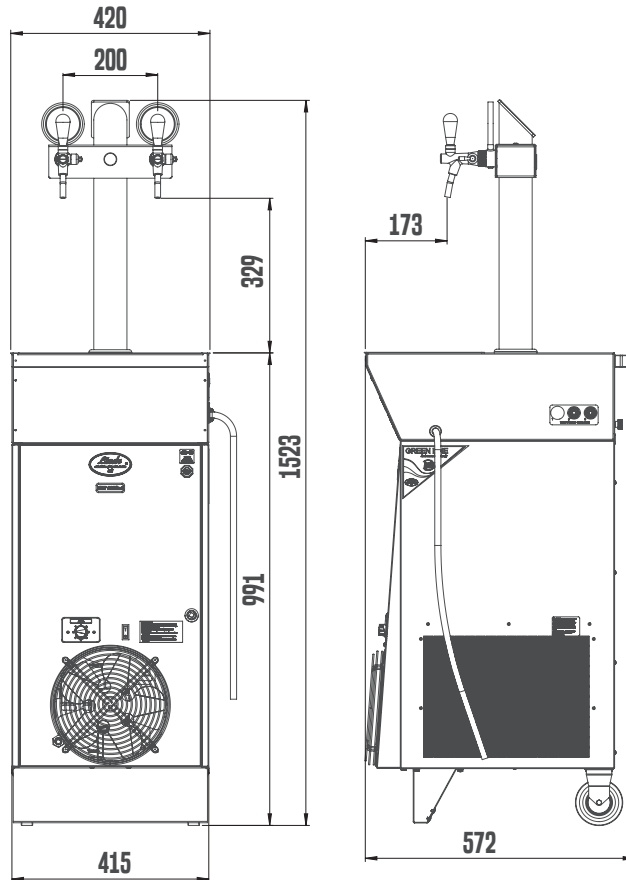


CWP 200 NEW GREEN LINE MOBILE 2X TAP



^ CWP NEW GREEN LINE Mobile SERIES
 DESIGN - The CWP NEW GREEN LINE Mobile models feature a dispense tower with plaques, a backlit advertising panel and a built-in drip tray.

CWP 300 GREEN LINE MOBILE 2X TAP

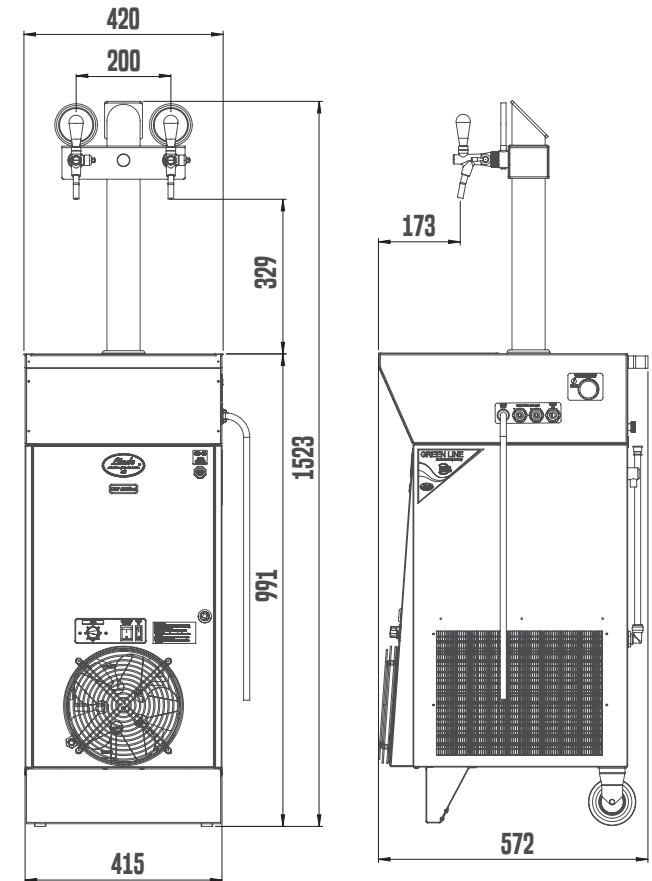


^ CWP 200 NEW GREEN LINE Mobile EQUIPMENT AND MOBILITY – a built-in drip tray with an outlet hose, wheels that allow easier transportation, thermostat for smooth and precise beverage temperature control, cooling coil and fitting, these are standard parts of this product.

CWP 300/K PROFI GREEN LINE MOBILNÍ 2X TAP



^ CWP 300/K PROFI GREEN LINE Mobile
 BARREL PRESSURISING – The CWP MOBIL 300/KProfi
 model is equipped with a unique system of two quiet,
 built-in, high performance air compressors. These
 include an intake silencer with a molecular intake air
 filter and individually adjustable working pressure and
 1-3.6 bar control.



BENEFITS AND USEFUL FEATURES

INNOVATION – All our coolers undergo continuous development and meet all the latest safety standards and certifications (Czech and European).

CWP TECHNOLOGY – CWP stands for Contact Water Power. It is a unique thermoblock design, developed by our company, that combines the advantages of dry contact and water coolers. The evaporator is in direct contact with the beverage line and can react immediately to increased beverage flow. The time needed for cooling is only about 30–40 minutes from turning on the device.

BARREL PRESSURISING – The CWP MOBIL 300/KProfi model is equipped with a unique system of two quiet, built-in, high performance air compressors. These include an intake silencer with a molecular intake air filter and individually adjustable working pressure and 1-3.6 bar control.

GREEN LINE – LINDR GREEN LINE technology is environmentally friendly thanks to the use of the environmentally friendly refrigerant R-290. Thanks to this design, each product achieves 20% higher energy efficiency and 20% lower electricity consumption. In its production we carry out systemic energy saving.

OUTPUT – The CWP NEW GREEN LINE device with their increased continuous output, enable the continuous serving of high-quality chilled beverages in quantities corresponding to their numbering in liters.

MOBILITY – The cooler has a stable base and sturdy wheels that allow easier transportation.

DESIGN - The CWP NEW GREEN LINE Mobile models feature a dispense tower with plaques, a backlit advertising panel and a built-in drip tray.

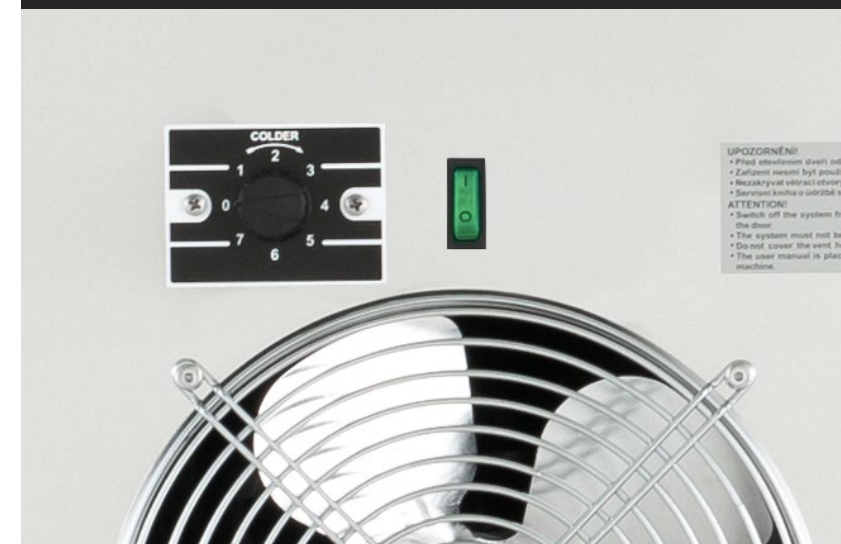
CONSTRUCTION AND SERVICE – The modern layout of the cooling technology guarantees easy accessibility for service and maintenance.

ACCESSORIES – A thermostat for smooth and precise beverage temperature control, a cooling coil and speed fittings are standard parts.

OVERALL COMPACTNESS – CWP line coolers have the best performance, size and price ratio on the market.



- ^ CWP 300 GREEN LINE Mobile
EASY CONNECTION - Each dispensing machine is equipped with a speed fittings for easy connection of tubes.
- v CWP NEW GREEN LINE Mobile SERIES
THERMAL REGULATION – Thermostat for smooth and precise beverage temperature control is a standard part.



TECHNICAL PARAMETERS

PRODUCT MODEL	CWP 200 NEW GL MOBILE 2X TAP	CWP 300 GL MOBILE 2X TAP	CWP 300/K PROFI GL MOBILE 2X TAP
COOLING POWER OF THE COMPRESSOR (HP)	3/4	1	1
COOLING POWER OF THE COMPRESSOR (W)	1550	2300	2300
MAXIMUM COOLING CAPACITY TO 0°C / TK 45°C (L/HOUR)	140	200	200
CONTINUOUS COOLING PERFORMANCE (L/HOUR)	120	180	180
THERMAL GRADIENT ΔT (°C)	10	10	10
AIR COMPRESSOR	-	-	YES, REGULATION 1,0-3,6 BAR
ICE BANK (KG)	0-5	0-5	0-5
DISPLACEMENT OF RECIRCULATION PUMP (M)	6	6	6
RECIRCULATION CONNECTION (FITTINGS)	-	-	-
NUMBER OF COOLED BEVERAGES (PCS)	2	2	2
LENGTH OF COOLING COILS (M)	2X20	2X40	2X40
DIAMETER OF COOLING COIL (MM)	7X8	7X8	7X8
POWER (W)	805	1081	1380
AMPERAGE (A)	3,50	4,70	6,00
NET WEIGHT (KG)	51,0	66,0	71,0
REFRIGERANT TYPE	R290	R290	R290
VOLTAGE (V)	220-240V 50HZ~1	220-240V 50HZ~1	220-240V 50HZ~1
BEVERAGE CONNECTION (FITTINGS)	9,5MM (3/8")	9,5MM (3/8")	9,5MM (3/8")
AIR CONNECTION (FITTINGS)	-	-	8 MM (1/2")
WATER DRAIN WITH WATERMARK	YES	NO	NO
CUSTOMIZED OPTIONS			
CHOICE OF TAP	YES	YES	YES
STAINLESS STEEL SCREWING	YES	YES	YES
POWER CABLE PLUG	YES	YES	YES
DIGITAL THERMOSTAT	YES	YES	YES

DISPENSING EQUIPMENT WINE



QUALITY INNOVATION PERFORMANCE DESIGN

Selected coolers suitable for winemakers, wine shops and wine bars. The stylish design reflects a different use compared to beer culture. The coolers are equipped with components and materials that resist the increased aggressiveness of the wines.



PYGMY EXCLUSIVE NEW 2X TAP - WINE

The main advantage of the PYGMY 25/K EXCLUSIVE 2x TAP NEW GREEN LINE dispensing machine is undoubtedly the modern and elegant look. The technology is based on the PYGMY series. Its use is therefore mainly in places where appearance really matters. That's why the front backlit panel is completely under your control so that it is as suitable as possible for the occasion where the dispensing machine will be used. You can easily dispense wine at your home bar, in smaller facilities or wine shops and winebars.



**BACKLIT LED PANEL
& DESIGN**



- < < PYGMY 25/K EXCLUSIVE NEW GREEN LINE 2x TAP CONTROLS – Controls on the back of the machine.
- < PYGMY 25/K EXCLUSIVE NEW GREEN LINE 2x TAP TWO-TAP model – Thanks to the unique technological design, this cooler allows you to dispense two independent drinks (beer, cider, prosecco, etc.) at once. Cooler is equipped with stainless steel taps which meet the highest hygienic standards.

BENEFITS AND USEFUL FEATURES

DESIGN – The coolers have a luxurious design with a backlit front panel and clean stainless steel lines, which unobtrusively underline the overall elegance.

INDIVIDUAL ADJUSTMENTS – You can design the motif of the front backlit panel yourself or we will be happy to help you with it. The basic color of the backlight is white, at your request we are able to backlight the panel with other colors.

GREEN LINE – LINDR GREEN LINE technology is environmentally friendly thanks to the use of eco-friendly refrigerant R-290. Thanks to this design, each product achieves 20 % higher energy efficiency and 20 % lower energy consumption. We have introduced an energy saving system in the production.

EXTENDED COOLING COILS - Thanks to the innovated interior of the cooler, we have managed to extend the total length of the cooling coils to 18 meters, so you can easily turn two perfectly chilled beers with a volume of 0.4 l in a row with this cooler.

THERMOBLOCK LINDR – a modern compressor cooling unit using input energy for direct conversion to cold. This guarantees minimum energy consumption. High-quality chilled beer is ready within minutes of connecting the machine.

STAINLESS STEEL TAP - We offer a choice with a stainless steel tap for bottling wine, which is optimal both in terms of durability and hygiene.

COOLING SPEED - The unique design of the cooling block with a perfectly tuned circuit guarantees not only the cooling of the beverage within a few minutes of switching on, but also the maintenance of a constant temperature if several beverages are dispensed in a short time.

BEVERAGE VOLUME IN THE COOLING BLOCK - A characteristic feature of our coolers is the large volume of beverage in the cooling block. Even the smallest models in the PYGMY series have a minimum of 0.5 l. The uniform inner diameter of the cooling coil (7 mm) from the dispense head to the tap guarantees cleanliness and optimal beverage flow.

AIR COMPRESSOR – The models are equipped with a high-quality built-in air compressor, which, thanks to its quiet operation, is also suitable for more intimate events without disturbing the surrounding atmosphere.

AIR FILTER - Because the quality of the dispensed beverage comes first for us, all our dispensing machines with a built-in air compressor are equipped with a molecular filter for incoming air.

STAINLESS STEEL STRUCTURE – The complete structure and the coil are made of stainless steel. The materials used meet the highest requirements of hygienic standards and are a guarantee of long life of PYGMY 25/K EXCLUSIVE 2x TAP NEW GREEN LINE series coolers.

EQUIPMENT – The standard supplied parts are the thermostat enabling continuous and precise regulation of the beverage temperature, tap (s), tap wrench, drip tray and quick fittings for easy connection.



^ PYGMY 25/K EXCLUSIVE GREEN LINE 2x TAP

DESIGN – The coolers have a luxurious design with a backlit front panel and clean stainless steel lines, which unobtrusively underline the overall elegance.

✓ **EASY CONNECTION** - Each machine is equipped with speed fitting for easy connection of tubes.





SOUDEK 50 NEW 3X TAP

The luxurious beer cooler SOUDEK 50 NEW GREEN LINE with 3 taps represents combination of exclusive oak wood and stainless steel accessories. The result of this combination is a unique look, which you will appreciate in a rustic kitchen, home bar or smaller commercial environments, such as wine shops or wine bars. Technically, this model is based on our beer cooler KONTAKT 40.



- ^ SOUDEK 50 NEW GREEN LINE 3x TAP
DISPENSING OPTIONS - Thanks to three taps, this machine can be used to dispense a total of three beverages, two chilled and one non-chilled. We offer a choice with a stainless steel tap for bottling wine, which is optimal both in terms of durability and hygiene.
- < < SOUDEK 50 NEW GREEN LINE 3x TAP
EQUIPMENT - The standard supplied part is a thermostat enabling continuous and precise regulation of the beverage temperature, a tap, a tap wrench, a drip tray and speedfit fittings for easy connection.

| BENEFITS AND USEFUL FEATURES

INNOVATION - All our luxury coolers are constantly evolving and meet all the latest safety standards and certifications (Czech and European).

DESIGN - Solid oak wood in combination with stainless steel accessories gives those coolers an unmistakable look.

STAINLESS STEEL TAP - We offer a choice with a stainless steel tap for bottling wine, which is optimal both in terms of durability and hygiene.

PERFORMANCE - The SOUDEK series dispensing machines, with their increased continuous output 40-50 l/h, enable the continuous serving of 80-100 high-quality chilled beverages in quantities corresponding to their numerical designation in liters.

GREEN LINE - LINDR GREEN LINE technology is environmentally friendly thanks to the use of ecological refrigerant R-290. Thanks to this design, each of the products achieves 20 % higher energy efficiency and 20 % lower electricity consumption. We produce energy savings system during its production.

COOLING SPEED - The unique design of the cooling block with a perfectly tuned circuit guarantees not only the cooling of the beverage within a few minutes of switching on, but also the maintenance of a constant temperature if several beverages are dispensed in a short time.

BEVERAGE VOLUME IN THE COOLING UNIT - A characteristic feature of our coolers is the large volume of beverage in the cooling block. Even the smallest models in the range of luxury coolers have a minimum of 0.5 l. The uniform inner diameter of the cooling coil (7 mm) from the dispense head to the tap guarantees cleanliness and optimal flow of the beverage.

EQUIPMENT - The standard supplied part is a thermostat enabling continuous and precise regulation of the beverage temperature, a tap, a tap wrench, a drip tray and speedfit fittings for easy connection.

OVERALL COMPACTNESS - SOUDEK portable coolers have the best ratio of performance, size and price on the market.

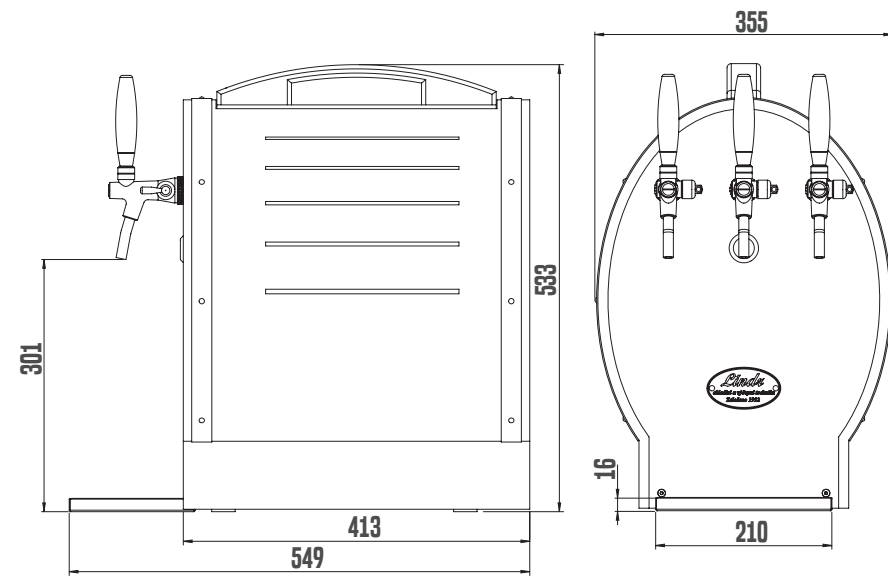
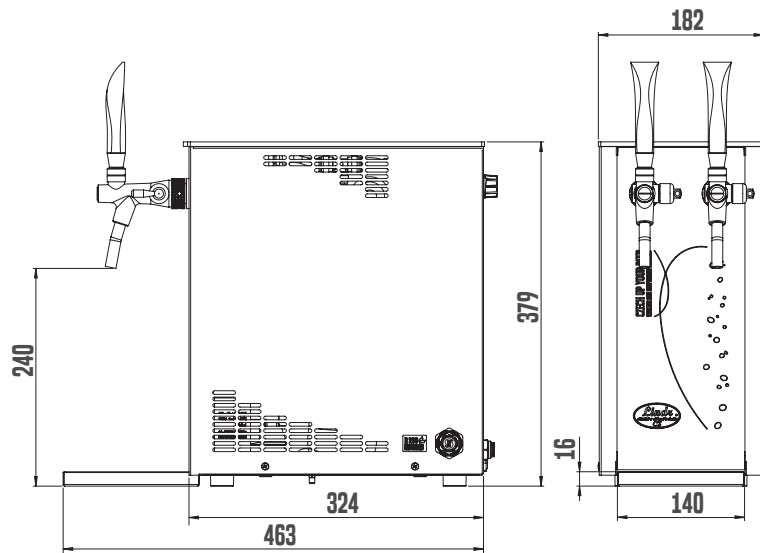


- ^ SOUDEK 50 NEW GREEN LINE 2x TAP
EASY TO CARRY – Easy and safe handling thanks to the small dimensions of this dispensing machine and the wooden handle, which is located on its upper part.
- v MATERIAL COMBINATION - It's hard to imagine a more elegant combination of materials than solid oak and stainless steel.



PYGMY 25/K EXCLUSIVE NEW GREEN LINE  2X TAP

SOUDEK 50 NEW GREEN LINE  3X TAP



TECHNICAL PARAMETERS

PRODUCT MODEL	PYGMY 25/K EXCLUSIVE NEW GL 2X TAP	SOUDEK 50 NEW GL 3X TAP
COOLING POWER OF THE COMPRESSOR (HP)	1/8	1/5
COOLING POWER OF THE COMPRESSOR (W)	310	510
MAXIMUM COOLING CAPACITY TO 0 °C / TK 45 °C (L/HOUR)	35	50
CONTINUOUS COOLING PERFORMANCE (L/HOUR)	25	40
THERMAL GRADIENT ΔT (°C)	10	10
AIR COMPRESSOR (BAR)	YES	NO
AIR COMPRESSOR PRESSURE (BAR)	AUTOMATIC 2,8-3,2	-
NUMBER OF TAPS (PCS)	2	3
NUMBER OF COOLED BEVERAGES (PCS)	2	2
LENGTH OF COOLING COILS (M)	2X9,0	16,5
DIAMETER OF COOLING COIL (MM)	7X8	7X8
POWER (W)	345	322
AMPERAGE (A)	1,50	1,40
NET WEIGHT (KG)	20,0	33,0
REFRIGERANT TYPE	R290	R290
VOLTAGE (V)	220-240V 50HZ~1	220-240V 50HZ~1
BEVERAGE CONNECTION (FITTINGS)	9,5MM (3/8")	9,5MM (3/8")
AIR CONNECTION (FITTINGS)	8MM (5/16")	-
CUSTOMIZED OPTIONS		
CHOICE OF TAP	YES	NO
BEVERAGE CONNECTION - STAINLESS STEEL SCREWING	YES	YES
AIR CONNECTION - STAINLESS STEEL SCREWING	YES	NO
MOTIVE OF LIGHTING PANEL	YES	NO
POWER CABLE PLUG	YES	YES



CWP 300 V FOR CONTROLLED FERMENTATION

CWP 300 V GREEN LINE is a professional device whose unique structural design is intended for use primarily in winemaking. Aside from cooling, the unit is also fitted with a water heater. The device enables manual switching between cooling and heating. Winemakers use this machine to chill or ferment wine. It can be also used to ferment must. CWP 300 V GREEN LINE is fitted with a drain valve for easy draining of water from the device and with a water gauge for checking the water level.



- < < CWP 300 V FOR CONTROLLED FERMENTATION
DRAIN VALVE WITH WATERMARK - The cooler is equipped with a drain valve that allows easy draining of the water from the device and a watermark to see the liquid level.
- < CWP 300 V FOR CONTROLLED FERMENTATION
MANIPULATION - The machine features 4 wheels for easier transportation.

| BENEFITS AND USEFUL FEATURES

INNOVATION – All our coolers are constantly evolving and meet all the latest safety standards and certifications (Czech and European).

COOLING / HEATING – Cooling capacity of CWP 300 V at TK 45°C / TO -5°C is maximum 1900 (W) / heating capacity of CPW 300 V is 1800 (W).

CONTROLLED FERMENTATION AND FREEZING – Option to use also for controlled fermentation of wine (the technology cools the must to the desired temperature) or for freezing of must (precipitation and sedimentation of proteins and wine diamonds).

TEMPERATURE CONTROL – Continuous control using two digital thermostats with a temperature range of -6 °C to +40 °C.

PROBE – CWP 300 V is equipped with an external sensor, which is used to switch the pump on and off and thus to set the temperature in the wine tank.

CWP TECHNOLOGY – CWP stands for Contact Water Power. It is a unique thermoblock design, developed by our company, that combines the advantages of contact and water coolers. The evaporator is in direct contact with the beverage line and can react immediately to increased beverage flow. The time needed for cooling is only about 30–40 minutes from turning on the device.

GREEN LINE – LINDR GREEN LINE technology is environmentally friendly thanks to the use of eco-friendly refrigerant R-290. Thanks to this design, each product achieves 20 % higher energy efficiency and 20 % lower energy consumption. We have introduced an energy saving system in the production.

MANIPULATION – device features 4 wheels for easier transportation.

CONSTRUCTION AND SERVICE – The modern layout of the cooling technology guarantees easy accessibility for any service and maintenance.



^ CWP 300 V FOR CONTROLLED FERMENTATION

PROBE – CWP 300 V is equipped with an external sensor, which is used to switch the pump on and off and thus to set the temperature in the wine tank.

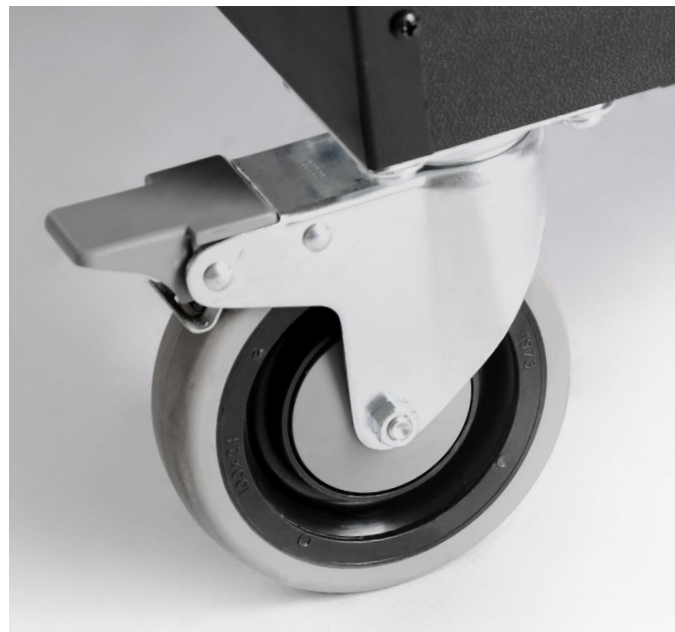
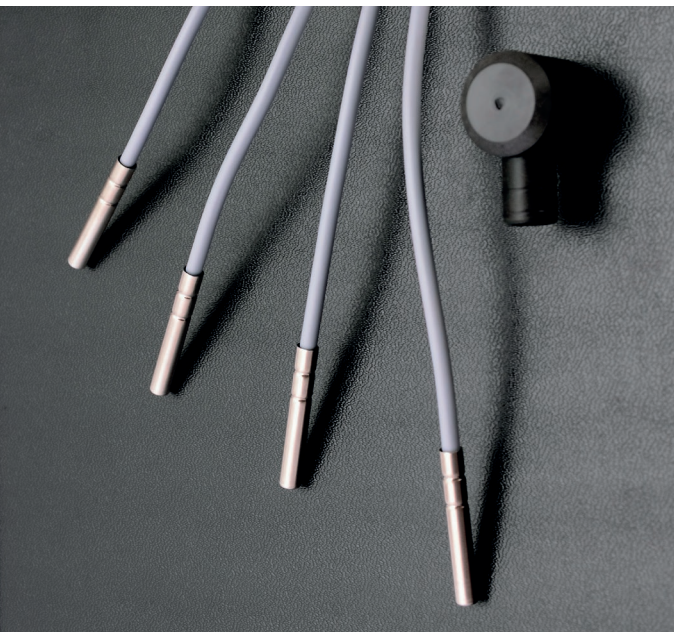
v **ELECTRONIC THERMOSTATS** – The cooler is equipped with two independent thermostats for cooling and heating water.





CWP 300 NEW 4X PUMP, 4X DIGITAL THERMOSTATS

The cooler is equipped with four digital thermostats for regulation of each circuit separately. Primarily the device is used for aftercooling of double-walled beer tanks or aftercooling the external tanks, e.g. for controlled fermentation and freezing at winemakers. Models are fitted with a drain valve for easy draining of water from the device and with a water gauge for checking the water level.



<< CWP 300 NEW GL 4x PUMP, 4x DIGITAL THERMOSTATS
COOLING UP TO 4 TANKS – the device is fitted with
4 efficient stirrers with the NRG 12 pump, which are
controlled with 4 digital thermostats with 6 m probe for
independent colling of smaller tanks.

< CWP 300 NEW GL 4x PUMP, 4x DIGITAL THERMOSTATS
MANIPULATION - device features 4 wheels for easier
transportation.

| BENEFITS AND USEFUL FEATURES

INNOVATION – All our coolers are constantly evolving and meet all the latest safety standards and certifications (Czech and European).

COOLING UP TO 4 TANKS – the device is fitted with 4 efficient stirrers with the NRG 12 pump, which are controlled with 4 digital thermostats with 6 m probe for independent cooling of smaller tanks including of connection of 4 fittings.

TEMPERATURE CONTROL – the temperature is controlled with mechanic thermostats. Digital thermostats control pumps.

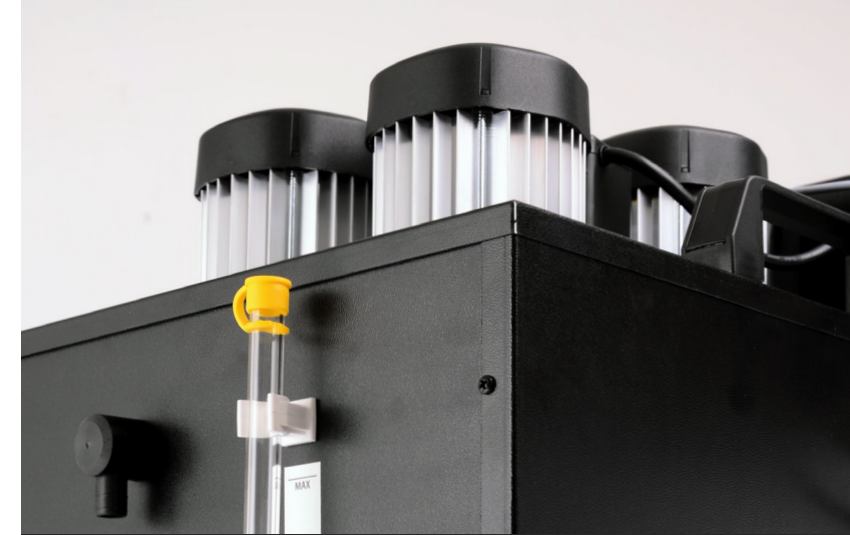
COOLING CAPACITY - Cooling capacity of CWP 300 at TK 45°C / TO -5°C is maximum 1900 (W).

CWP TECHNOLOGY – CWP stands for Contact Water Power. It is a unique thermoblock design, developed by our company, that combines the advantages of contact and water coolers. The evaporator is in direct contact with the beverage line and can react immediately to increased beverage flow. The time needed for cooling is only about 30–40 minutes from turning on the device.

GREEN LINE – LINDR GREEN LINE technology is environmentally friendly thanks to the use of eco-friendly refrigerant R-290. Thanks to this design, each product achieves 20 % higher energy efficiency and 20 % lower energy consumption. We have introduced an energy saving system in the production.

MANIPULATION – device features 4 wheels for easier transportation.

CONSTRUCTION AND SERVICE – The modern layout of the cooling technology guarantees easy accessibility for any service and maintenance.

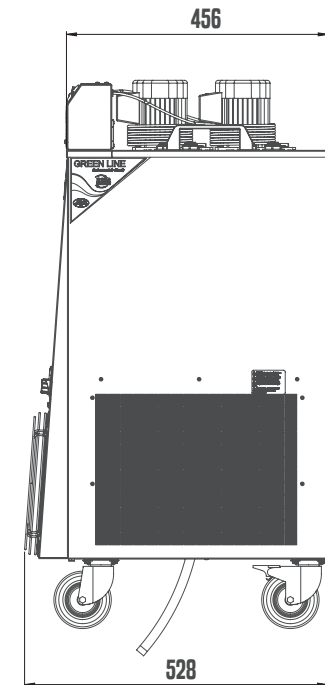
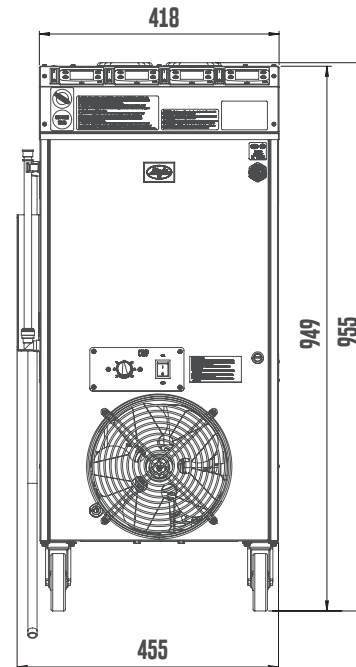
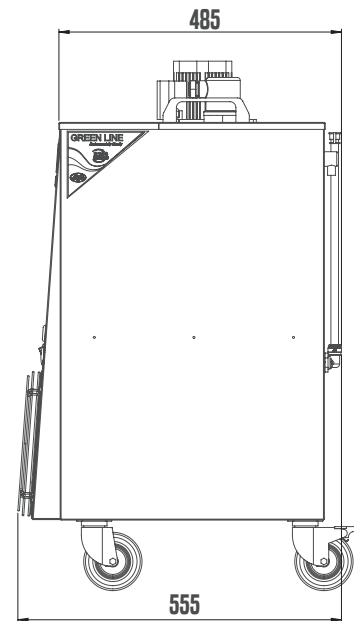
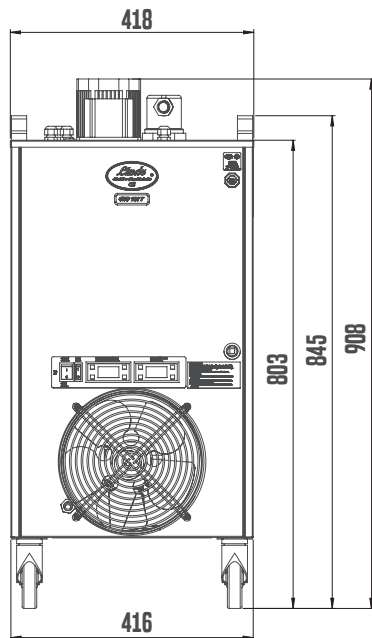


- ^ CWP 300 NEW GL 4x PUMP, 4x DIGITAL THERMOSTATS
DRAIN VALVE WITH WATERMARK – The cooler is equipped with a drain valve that allows easy draining of water from the unit and a watermark to see the liquid level.
- ∨ THERMAL REGULATION – Thermostat for smooth and precise beverage temperature control is a standard part.



CWP 300 V FOR CONTROLLED FERMENTATION GREEN LINE 

CWP 300 NEW GREEN LINE  **4X PUMP, 4X DIGITAL THERMOSTAT**



TECHNICAL PARAMETERS

PRODUCT MODEL	CWP 300 V FOR CONTROLLED FERMENTATION GL	CWP 300 NEW GL 4X PUMP 4X DIGITAL THERMOSTAT
COOLING POWER OF THE COMPRESSOR (HP)	3/4	1
COOLING POWER OF THE COMPRESSOR (W)	2000	2360
MAXIMUM COOLING CAPACITY TO 0°C / TK 45°C (L/HOUR)	200	200
CONTINUOUS COOLING PERFORMANCE (L/HOUR)	180	180
THERMAL GRADIENT ΔT (°C)	10	10
OHREV (W)	1800	-
ICE BANK (KG)	-	10-20
DISPLACEMENT OF RECIRCULATION PUMP (M)	12	12
RECIRCULATION CONNECTION (FITTINGS)	1/2	1/2
NUMBER OF COOLED BEVERAGES (PCS)	-	-
LENGTH OF COOLING COILS (M)	-	-
DIAMETER OF COOLING COIL (MM)	-	-
POWER (W)	2162	1380
AMPERAGE (A)	9,40	6,00
NET WEIGHT (KG)	41,5	50,5
REFRIGERANT TYPE	R290	R290
VOLTAGE (V)	220-240V 50HZ~1	220-240V 50HZ~1
BEVERAGE CONNECTION (FITTINGS)	-	-
AIR CONNECTION (FITTINGS)	-	-
WATER DRAIN WITH WATERMARK	YES	YES
CUSTOMIZED OPTIONS		
CHOICE OF TAP	NO	NO
STAINLESS STEEL SCREWING	NO	NO
POWER CABLE PLUG	YES	YES
DIGITAL THERMOSTAT	YES	YES

SODA WATER MAKERS



QUALITY INNOVATION PERFORMANCE DESIGN

Professional machine designed for the production of chilled soda water.

Professional device designed for producing chilled soda water.



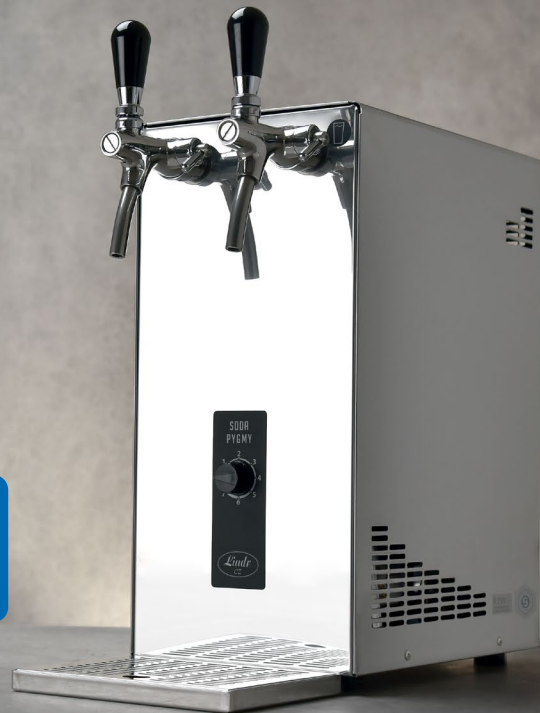
SODA PYGMY NEW

Soda water maker SODA PYGMY GREEN LINE NEW is professional device designed for producing chilled soda water by mixing H₂O and CO₂. This practical machine is suitable for households, offices and small production facilities, where you expect output 20 - 25 l chilled drink per hour. The soda water maker is fitted with two stainless steel taps which enable dispensing of chilled and soda water. Stainless drip tray ensures comfortable and hygienic use of the device.



TECHNOLOGY & BENEFITS

Professional device designed for producing chilled soda water.



- ^ SODA PYGMY NEW 2x TAP GREEN LINE
STAINLESS STEEL TAPS - Cooler is equipped with stainless steel taps which meet the highest hygienic standards.
- v EASY CONNECTION – Each machine is equipped with speed fitting for easy connection of tubes.



Elegant look with backlit front panel.



SODA EXCLUSIVE NEW

Soda water maker SODA EXCLUSIVE GREEN LINE NEW is a professional device designed for producing chilled soda water by mixing H₂O and CO₂. This practical machine with its unique design is suitable for use in households, offices, restaurants, production facilities etc. The soda water maker is fitted with high quality control buttons for easy use. Its exclusive look is highlighted by a backlit front panel.



BACKLIT FRONT PANEL & DESIGN

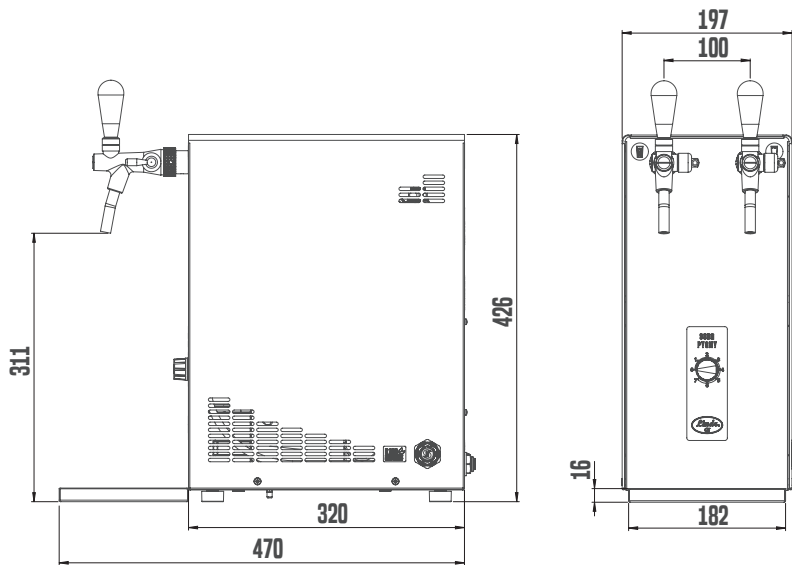
Elegant look with backlit front panel with customised logos.



- ^ SODA EXCLUSIVE NEW GREEN LINE
PUSH BUTTON CONTROL - The soda water maker is fitted with high quality control buttons for easy use.
- < BACKLIT FRONT PANEL - Elegant look with backlit front panel with customised logos.



SODA PYGMY NEW GREEN LINE 



SODA EXCLUSIVE NEW GREEN LINE 



This practical machine is suitable for households, offices and production facilities.

SODA AS-45 2X TAP

Soda water maker SODA AS-45 GREEN LINE 2x TAP is professional device designed for producing chilled soda water by mixing H₂O and CO₂. This practical machine is suitable for households, offices and production facilities. The soda water maker is fitted with two stainless steel taps, which enable dispensing of chilled and soda water. Drip tray ensures comfortable and hygienic use of the device.



- ^ SODA AS-45 2x TAP GREEN LINE
STAINLESS STEEL TAPS - Cooler is equipped with stainless steel taps which meet the highest hygienic standards.
- √ EASY CONNECTION – Each machine is equipped with speed fitting for easy connection of tubes.



High output of make it suitable for professional use.



SODA KONTAKT 70 2X TAP

SODA KONTAKT 70 GREEN LINE 2x TAP is a professional device designed for producing chilled soda water by mixing H₂O and CO₂, also for dispensing of chilled beverage like water, lemonade, beer, wine nad cider. Its high output of up to 70 l/h make it suitable for professional use in restaurants, inns and bars.



STAINLESS STEEL TAPS

Cooler is equipped with stainless steel taps which meet the highest hygienic standards.

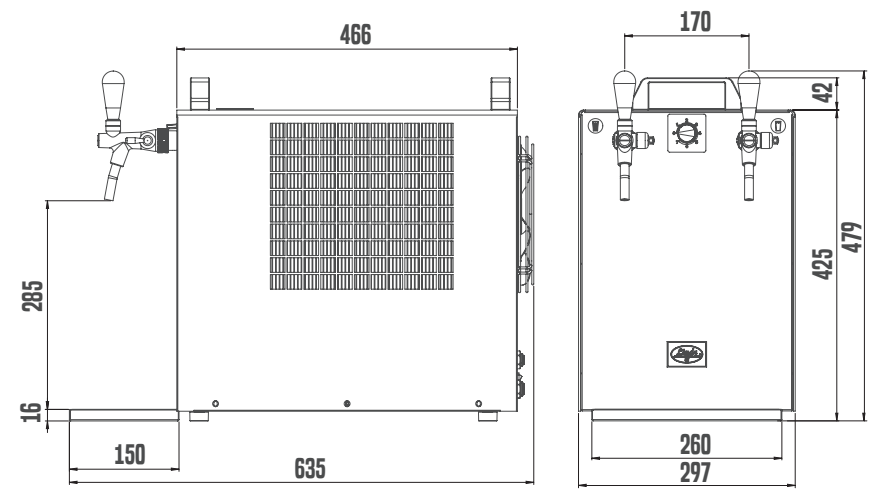
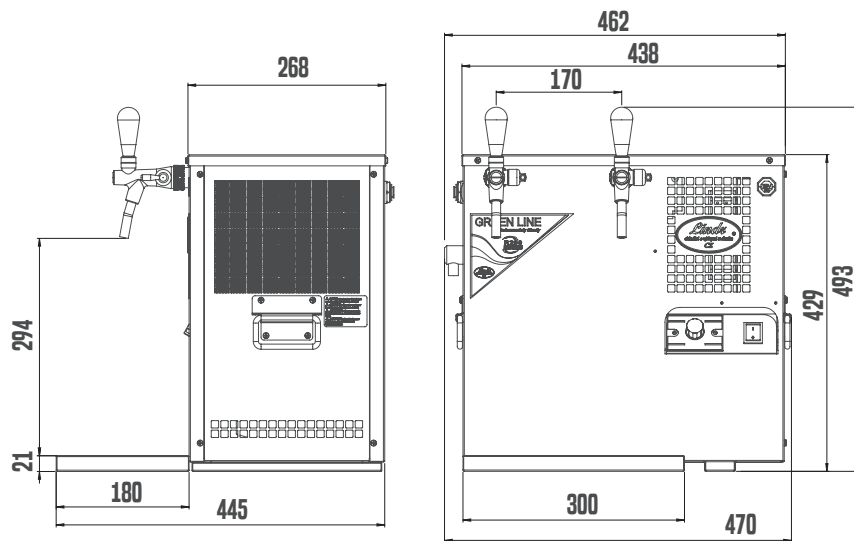
- ^ SODA KONTAKT 70 GREEN LINE THERMAL REGULATION – Thermostat for smooth and precise beverage temperature control is a standard part.
- ✓ EASY CONNECTION – Each machine is equipped with speed fitting for easy connection of tubes.



SODA AS-45 GREEN LINE  2X TAP



SODA KONTAKT 70 GREEN LINE  2X TAP



TECHNICAL PARAMETERS

PRODUCT MODEL	SODA PYGMY NEW GL	SODA EXCLUSIVE NEW GL	SODA KONTAKT 70 GL 2X TAP	SODA AS-45 GL 2X TAP
COOLING POWER OF THE COMPRESSOR (HP)	1/8	1/8	1/3	1/8
COOLING POWER OF THE COMPRESSOR (W)	310	310	860	310
MAXIMUM COOLING CAPACITY TO 0°C / TK 45°C (L/HOUR)	25	25	90	45
CONTINUOUS COOLING PERFORMANCE (L/HOUR)	20	20	70	25
THERMAL GRADIENT ΔT (°C)	10	10	10	10
AIR COMPRESSOR	NO	NO	NO	NO
ICE BANK (KG)	-	-	-	-
NUMBER OF TAPS (PCS)	2	1	2	2
NUMBER OF COOLED BEVERAGES	SODA+WATER	SODA+WATER	SODA+1	SODA+1
CARBONATED WATER (L/HOUR)	20-25	20-25	90-70	25-45
LENGTH OF COOLING COILS (M)	1X11	1X11	2X18	1X7, 1X6
POWER (W)	299	391	828	345
AMPERAGE (A)	1,30	1,70	3,60	1,50
NET WEIGHT (KG)	21,0	23,0	37,0	24,0
REFRIGERANT TYPE	R290	R290	R290	R290
VOLTAGE (V)	220-240V 50HZ~1	220-240V 50HZ~1	220-240V 50HZ~1	220-240V 50HZ~1
BEVERAGE CONNECTION (FITTINGS)	WATER 3/8	WATER 3/8	WATER 3/8, BEVERAGE 3/8	WATER 3/8, BEVERAGE 3/8
CO2 CONNECTION (FITTINGS)	5/16	5/16	5/16	5/16
OUTPUT (FITTINGS)	-	-	-	-
CUSTOMIZED OPTIONS				
CHOICE OF TAP	NO	NO	NO	NO
CONNECTION - STAINLESS STEEL SCREWING	NO	NO	NO	NO
MOTIVE OF LIGHTING PANEL	NO	YES	NO	NO
POWER CABLE PLUG	YES	YES	YES	YES

The device is designed for producing chilled soda water by mixing H₂O and CO₂.



EXTERNAL CARBONATOR 40L NEW

The maker can produce 40 l of soda water per hour. Easy connection to cooler and tap tower. Affordable solution for restaurants and other establishments serving beverages and looking to expand their existing bar with perfectly chilled sparkling water.



- ^ EXTERNAL CARBONATOR 40 L NEW
EASY CONNECTION - Easy installation thanks to fittings located on the carbonator.
- < CONSTRUCTION AND SERVICE – The modern layout of the cooling technology guarantees easy accessibility for any service and maintenance.

TECHNOLOGY & BENEFITS

Professional device designed for producing chilled soda water.





The device is designed for producing chilled soda water by mixing H₂O and CO₂.

EXTERNAL CARBONATOR 200L NEW

Are you planning to expand dispensing of drinks including chilled soda water? We offer you an elegant solution thanks to this device. The device is designed for producing chilled soda water by mixing H₂O and CO₂. The maker can produce 200 l of soda water per hour. Easy connection to cooler and tap tower.



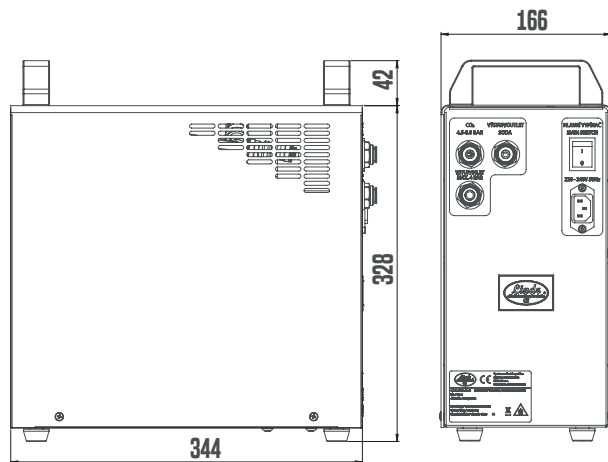
TECHNOLOGY & BENEFITS

Professional device designed for producing chilled soda water.

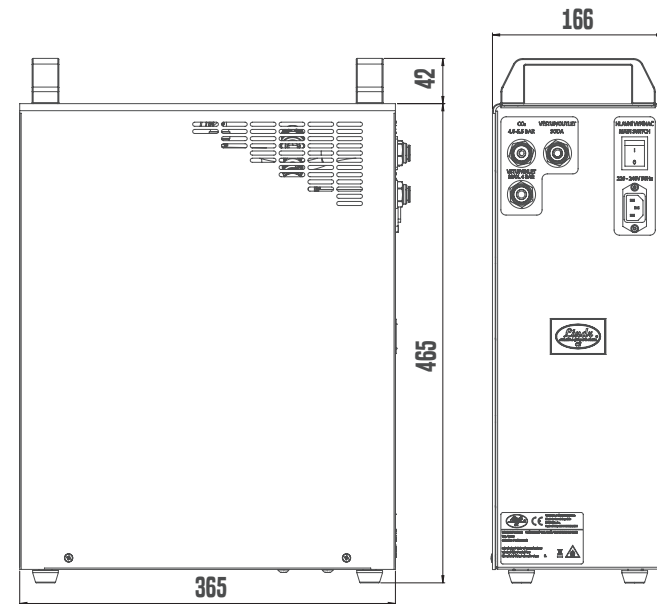
- ^ EXTERNAL CARBONATOR 200 L NEW
EASY CONNECTION - Easy installation thanks to fittings located on the carbonator.
- < HIGH OUTPUT – The device can produce even up to 200 l soda water per hour.



EXTERNAL CARBONATOR 40L NEW



EXTERNAL CARBONATOR 200L NEW



High output of make it suitable for professional use.



SODA KONTAKT 70

SODA KONTAKT 70 GREEN LINE is a professional device designed for producing chilled soda water by mixing H₂O and CO₂, also for dispensing of chilled beverage like water, lemonade, beer, wine nad cider. Its high output of up to 70 l/h make it suitable for professional use in restaurants, inns and bars.



PROFESSIONAL USE

Its high output of up to 70 l/h make it suitable for professional use in restaurants, inns and bars.



- ^ SODA KONTAKT 70 GREEN LINE
THERMAL REGULATION – Thermostat for smooth and precise beverage temperature control is a standard part.
- ✓ EASY CONNECTION - easy installation thanks to fittings located on the cooler.



| BENEFITS AND USEFUL FEATURES

INNOVATION – All our coolers are constantly evolving and meet all the latest safety standards and certifications (Czech and European).

PERFORMANCE – The soda makers, with their increased continuous output, enable the continuous serving of high-quality chilled beverages in quantities corresponding to their numbering in liters.

GREEN LINE – LINDR GREEN LINE technology is environmentally friendly thanks to the use of eco-friendly refrigerant R-290. Thanks to this design, each product achieves 20 % higher energy efficiency and 20 % lower energy consumption. We have introduced an energy saving system in the production.

CONSTRUCTION AND SERVICE – The modern layout of the cooling technology guarantees easy accessibility for any service and maintenance.

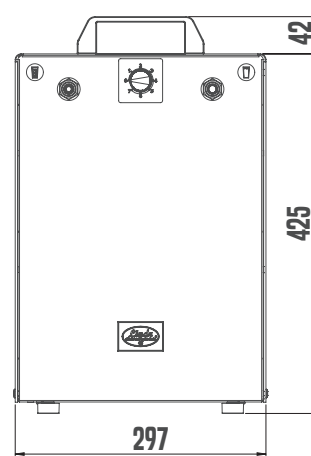
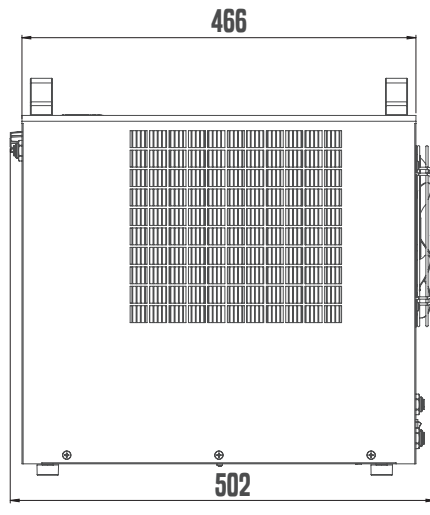
EQUIPMENT – Standard features include a thermostat for smooth and precise beverage temperature control.

OVERALL COMPACTNESS – soda makers have the best ratio of performance, size and price on the market.

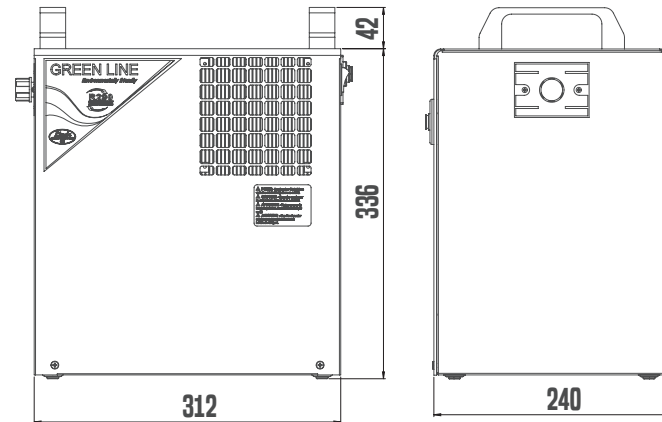


- ^ SODA KONTAKT 70 GREEN LINE 2x TAP
EQUIPMENT – The standard supplied parts are the thermostat enabling continuous and precise regulation of the beverage temperature, taps, tap wrench and drip tray.
- < SODA AS-45 GREEN LINE 2x TAP
THERMAL REGULATION – Thermostat for smooth and precise beverage temperature control is a standard part.

SODA KONTAKT 70 GREEN LINE



SODA PYGMY 25 GREEN LINE





This maker produces 25 litres well-chilled sparkling or still water per hour.

SODA PYGMY 25

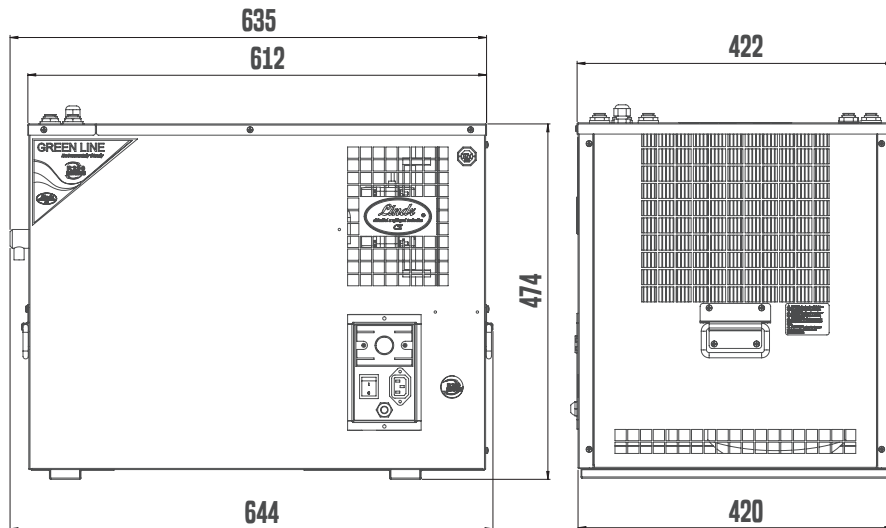
Soda water maker SODA PYGMY 25 GREEN LINE is a professional cooler designed for producing chilled soda water by mixing H₂O and CO₂. It is designed for under-counter placement and connection to a bar dispense tower or external valve. This practical machine is suitable for use in offices, restaurants or production plants. Output of up to 25 litres of perfectly chilled soda water per hour makes the soda water maker the ideal choice for universal use.

THERMAL REGULATION - Thermostat allowing smooth and precise regulation of beverage temperature.

- ✓ SODA WATER MAKER SODA PYGMY 25 GREEN LINE
EASY CONNECTION - Easy installation thanks to speed push fittings located on the cabinet.



SODA AS-110 GREEN LINE



Its high output of 60-110 l/h make it suitable for professional use in restaurants, inns and bars.

SODA AS-110

SODA AS 110 GREEN LINE is a professional device designed for producing chilled soda water by mixing H₂O and CO₂, with the capability to cool two additional beverages (beer, fizzy drinks etc.). Its high output of 60-110 l/h make it suitable for professional use in restaurants, inns and bars.

- ✓ SODA AS-110 GREEN LINE
THERMAL REGULATION - Thermostat allowing smooth and precise regulation of beverage temperature.



TECHNICAL PARAMETERS

PRODUCT MODEL	EXTERNAL CARBONATOR 40L NEW	EXTERNAL CARBONATOR 200L NEW	SODA PYGMY 25 GL	SODA KONTAKT 70 GL	SODA AS-110 GL
COOLING POWER OF THE COMPRESSOR (HP)	-	-	1/8	1/3	1/3
COOLING POWER OF THE COMPRESSOR (W)	-	-	310	860	860
MAXIMUM COOLING CAPACITY TO 0°C / TK 45°C (L/HOUR)	40	200	25	90	110
CONTINUOUS COOLING PERFORMANCE (L/HOUR)	-	-	20	70	60
THERMAL GRADIENT ΔT (°C)	-	-	10	10	10
AIR COMPRESSOR	NO	NO	NO	NO	NO
ICE BANK (KG)	-	-	-	-	5-10
DISPLACEMENT OF RECIRCULATION PUMP (M)	-	-	-	-	6
NUMBER OF COOLED BEVERAGES	SODA	SODA	SODA+WATER	SODA+1	SODA-2
CARBONATED WATER (L/HOUR)	40	200	20-25	70-90	60-110
LENGTH OF COOLING COILS (M)	-	-	1X10,5	2X18	2X16, 1X9
POWER (W)	368	322	391	828	943
AMPERAGE (A)	1,6	1,4	1,70	3,60	4,10
NET WEIGHT (KG)	10,5	14,0	17,0	36,0	38,0
REFRIGERANT TYPE	-	-	R290	R290	R290
VOLTAGE (V)	220-240V 50HZ~1	220-240V 50HZ~1	220-240V 50HZ~1	220-240V 50HZ~1	220-240V 50HZ~1
BEVERAGE CONNECTION (FITTINGS)	WATER 3/8	WATER 3/8	WATER 5/16	WATER 3/8, BEVERAGE 3/8	WATER 3/8, BEVERAGE 3/8
CO2 CONNECTION (FITTINGS)	5/16	5/16	5/16	5/16	5/16
OUTPUT (FITTINGS)	SODA 3/8	SODA 3/8	SODA 5/16, WATER 5/16	SODA 3/8, BEVERAGE 3/8	SODA 3/8, BEVERAGE 3/8
CUSTOMIZED OPTIONS					
CHOICE OF TAP	NO	NO	NO	NO	NO
CONNECTION - STAINLESS STEEL SCREWING	YES	YES	YES	NO	YES
MOTIVE OF LIGHTING PANEL	NO	NO	NO	NO	NO
POWER CABLE PLUG	YES	YES	YES	YES	YES

DISPENSE TOWERS



QUALITY INNOVATION PERFORMANCE DESIGN

Dispense towers Lindr offer flexibility in the number of taps - the option of choosing from one to twelve taps. Their appearance meets our high standards, whether it is a stainless steel design without welds or a high variability of accessories.

NAKED, NAKED ONE

NUMBER OF TAPS 1



The Naked series of dispensing towers are characterized by clean curves in full stainless steel design without a single weld. The complete line with one tap gives new possibilities to enhance the classic look of the most widespread dispense towers and move the design to the next level.

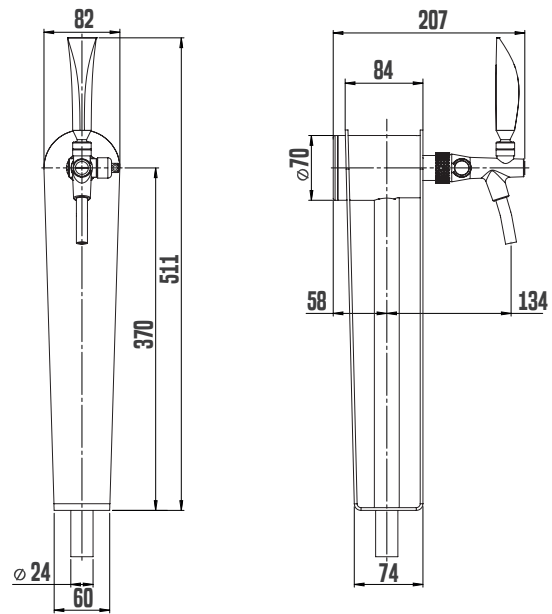
NAKED, NAKED ONE DISPENSE TOWERS

The LINDR NAKED, NAKED ONE dispensing towers are a unique single-tap tower, which mainly benefits from a simple, clean design. It is enhanced by the all-stainless steel design without welds and is especially suitable for modern areas of bars or restaurants and also where there is not much space. To underline the design, the used middle pole dewes on the surface thanks to the recirculation, creating a unique look of a really chilled beer.

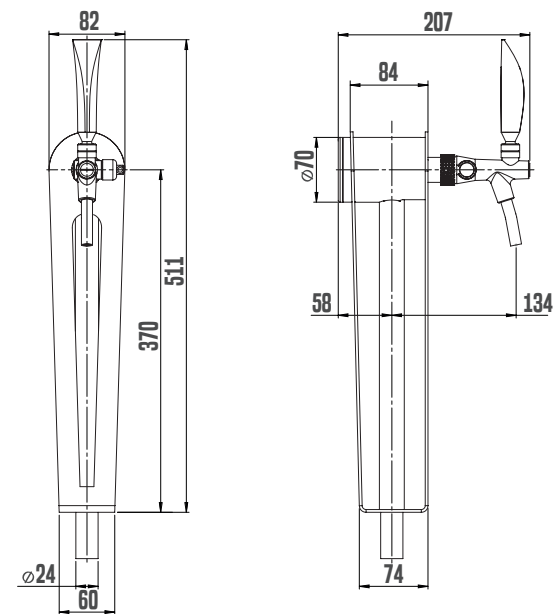


^ LINDR NAKED, NAKED ONE TOWERS
RECIRCULATION - Thanks to the RECIRCULATION system and a well insulated coil, the beverage is cooled right up to the tap and, in addition, it also creates a dewy effect on the stand.

LINDR NAKED TOWER



LINDR NAKED ONE TOWER



TECHNICAL PARAMETERS

PRODUCT MODEL	LINDR NAKED TOWER	LINDR NAKED ONE TOWER
BASIC MEDALLION	YES	YES
LINDR TAP	YES	YES
MEDALLION Ø 69 MM	YES	YES
CONNECTION - INPUT ST. STEEL TUBE 8MM WITH RECIRCULATION COIL RIGHT TO THE TAP	YES	YES
NUMBER OF TAPS (PCS)	1	1
WEIGHT (KG)	4,30	3,60
COLOR DESIGN- POLISHED STAINLESS STEEL	YES	YES
OPTIONAL ACCESSORIES	YES	YES
ILLUMINATED MEDALLION	✓	✓
WOODEN MEDALLION	✓	✓
CHOICE OF MEDALLION Ø 82 MM	X	X
CHOICE OF TAP	✓	✓
CHOICE OF MEDALLION	X	X
CONNECTION - INLET 10 MM STAINLESS STEEL WITH RECIRCULATION COIL RIGHT TO THE TAP	X	X
POSSIBLE CUSTOMIZED OPTIONS	YES	YES
FISH EYE MEDALLION	✓	✓
COLOR DESIGN ACCORDING TO RAL SAMPLES	✓	✓
COLORED DESIGN OF SANDBLASTING	✓	✓

Note
We will be happy to inform you regarding custom modifications (contact us).



BASIC MEDALLION



ILLUMINATED MEDALLION



WOODEN MEDALLION



FISH EYE MEDALLION

NUMBER OF TAPS 4 - 6 - 8 - 8 - 10 - 12

NAKED COLD BRIDGE



The flagship of our production, which will be without a doubt the absolute dominant of your bar.

NAKED COLD BRIDGE DISPENSE TOWERS

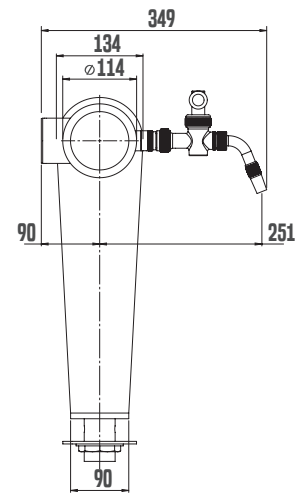
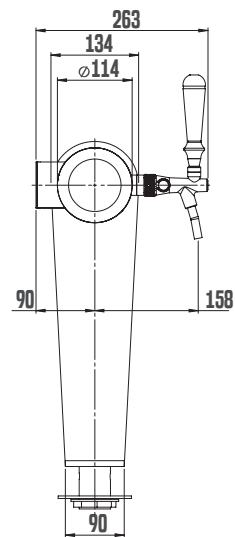
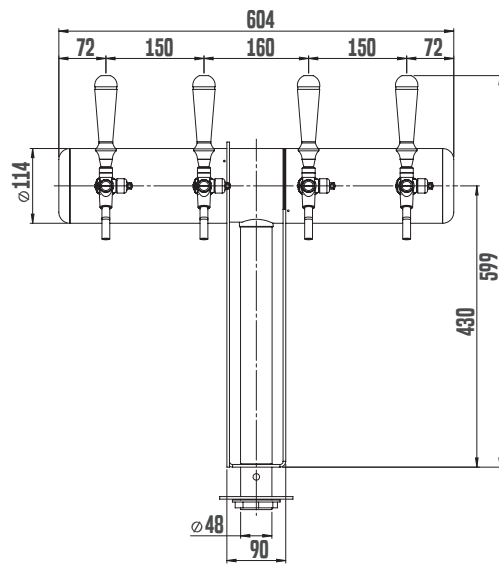
The LINDR NAKED COLD BRIDGE tower with four taps is the absolute top among dispensing towers, excellent not only in appearance, but above all in its unique recirculation system. This tower will clearly show guests that you are serious about dispensing beer. The only tower in the series with one stand in the middle.



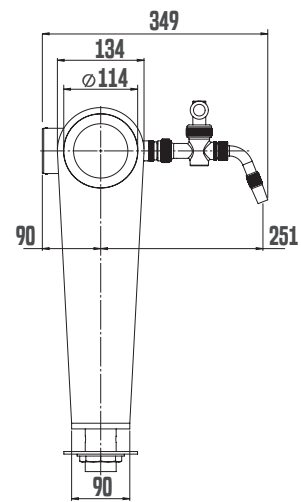
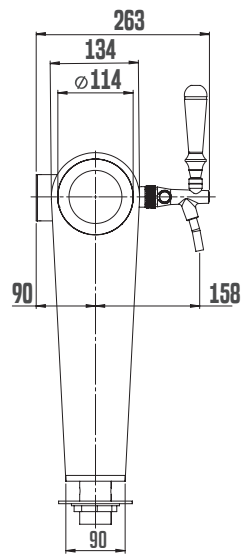
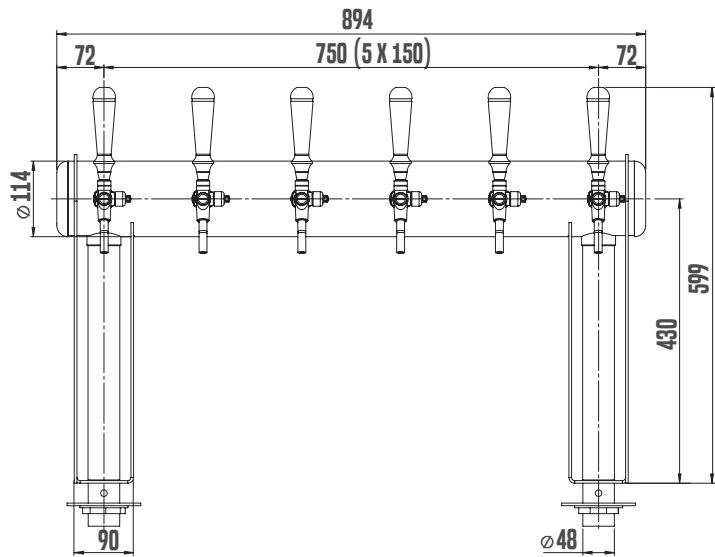
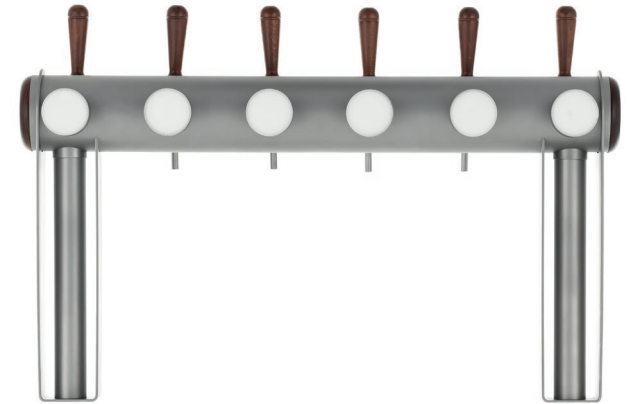
- < LINDR NAKED COLD BRIDGE TOWER
RECIRCULATION - Own design solution with perfect insulation.
- ✓ PRESENTATION OPTIONS - Backlit medallions can be installed in a straight version or a fish eye variant.



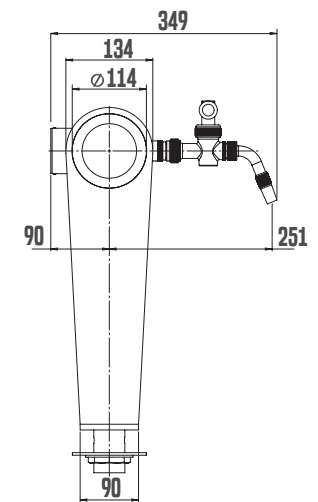
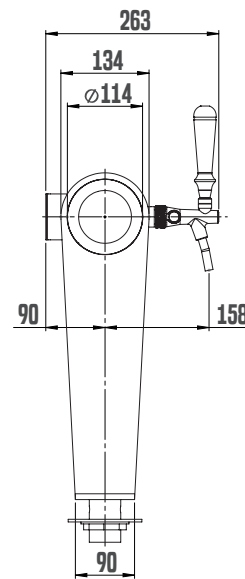
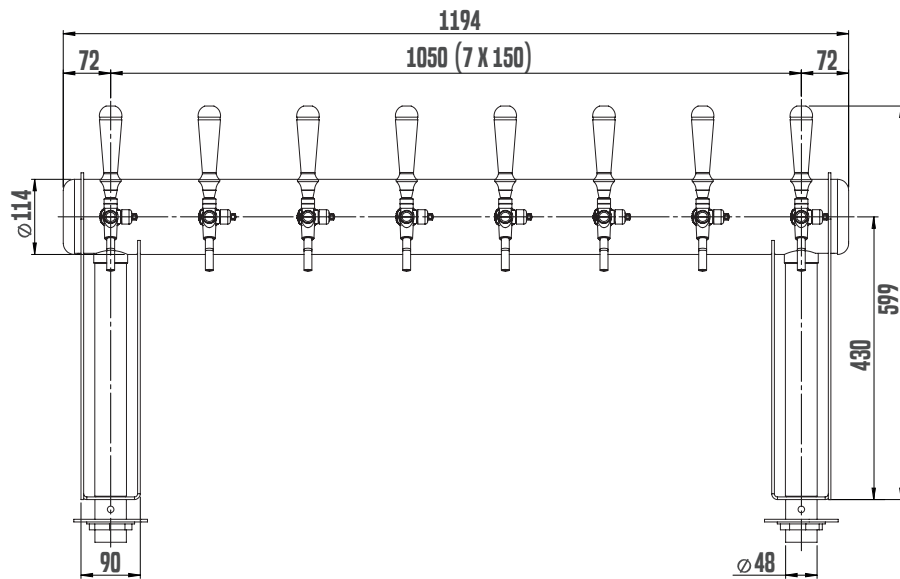
LINDR NAKED COLD BRIDGE 4 TOWER



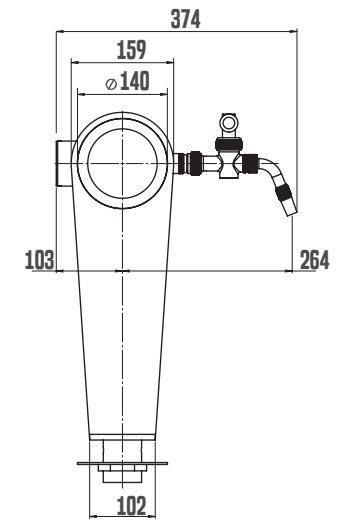
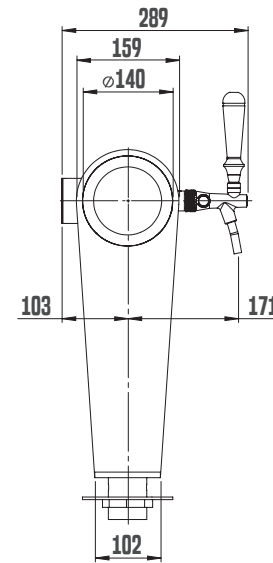
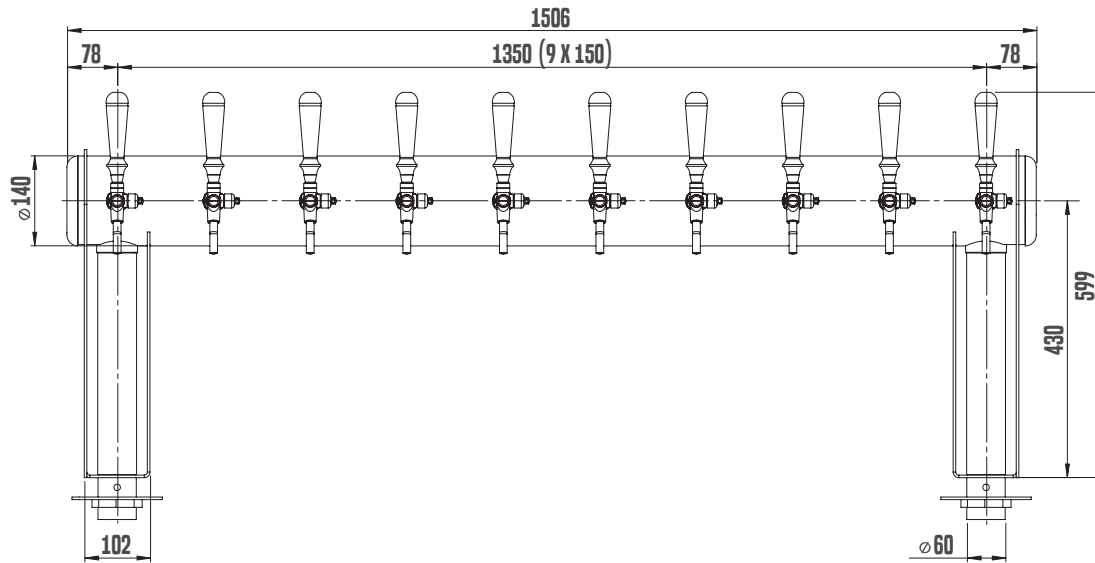
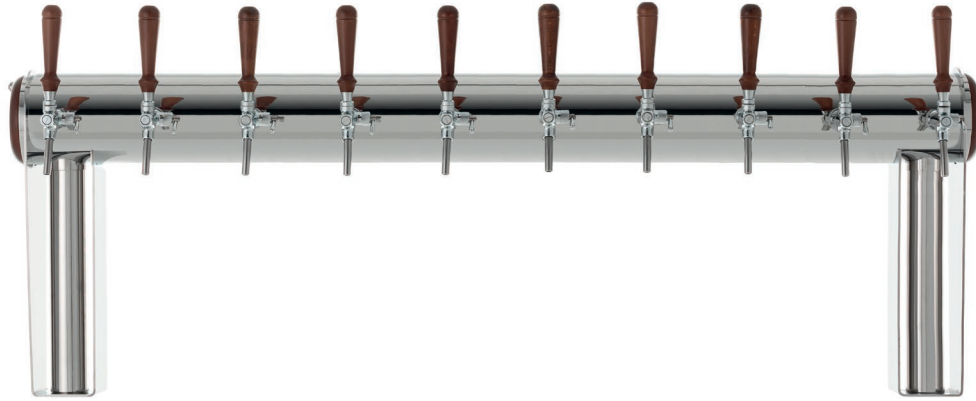
LINDR NAKED COLD BRIDGE 6 TOWER



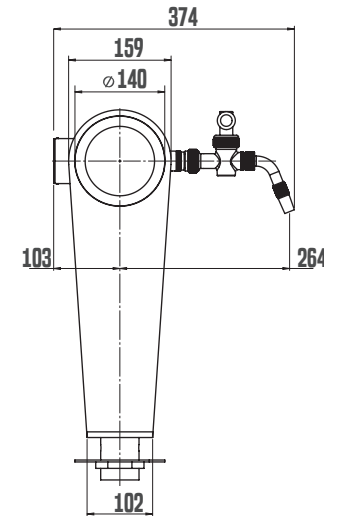
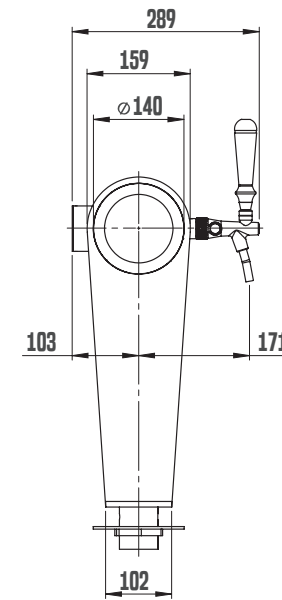
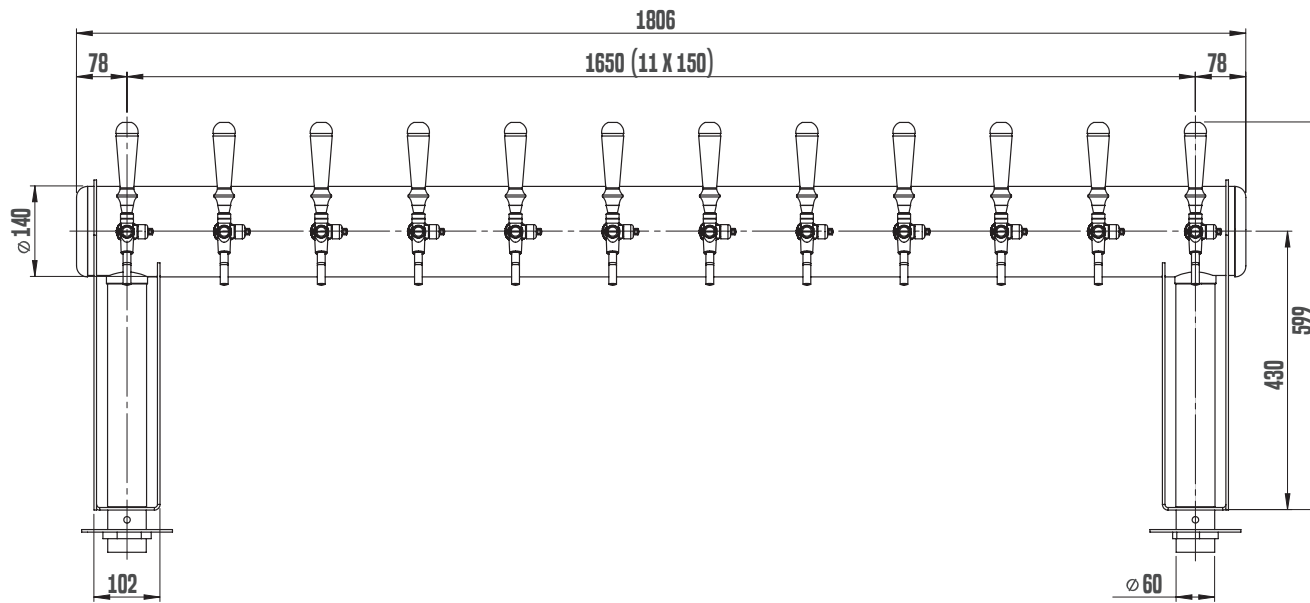
LINDR NAKED COLD BRIDGE 8 TOWER



LINDR NAKED COLD BRIDGE 10 TOWER



LINDR NAKED COLD BRIDGE 12 TOWER



TECHNICAL PARAMETERS

PRODUCT MODEL	LINDR NAKED COLD BRIDGE 4 TOWER	LINDR NAKED COLD BRIDGE 6 TOWER	LINDR NAKED COLD BRIDGE 8 TOWER	LINDR NAKED COLD BRIDGE 10 TOWER	LINDR NAKED COLD BRIDGE 12 TOWER
BASIC MEDALLION	YES	YES	YES	YES	YES
LINDR TAP	YES	YES	YES	YES	YES
MEDALLION Ø 69 MM	YES	YES	YES	YES	YES
CONNECTION - INPUT ST. STEEL TUBE 8MM WITH RECIRCULATION COIL RIGHT TO THE TAP	YES	YES	YES	YES	YES
NUMBER OF TAPS (PCS)	4	6	8	10	12
WEIGHT (KG)	12,0	18,5	20,5	33,0	37,0
COLOR DESIGN- POLISHED STAINLESS STEEL	YES	YES	YES	YES	YES
OPTIONAL ACCESSORIES	YES	YES	YES	YES	YES
ILLUMINATED MEDALLION	✓	✓	✓	✓	✓
WOODEN MEDALLION	✓	✓	✓	✓	✓
CHOICE OF MEDALLION Ø 82 MM	✓	✓	✓	✓	✓
CHOICE OF TAP	✓	✓	✓	✓	✓
CHOICE OF MEDALLION	X	X	X	X	X
CONNECTION - INLET 10 MM STAINLESS STEEL WITH RECIRCULATION COIL RIGHT TO THE TAP	X	✓	✓	✓	✓
POSSIBLE CUSTOMIZED OPTIONS	YES	YES	YES	YES	YES
FISH EYE MEDALLION	✓	✓	✓	✓	✓
COLOR DESIGN ACCORDING TO RAL SAMPLES	X	X	X	X	X
COLOR DESIGN OF SANDBLASTING	✓	✓	✓	X	X

Note

We will be happy to inform you regarding custom modifications (contact us).



SANDBLASTED



STAINLESS STEEL



BASIC MEDALLION



ILLUMINATED MEDALLION



WOODEN MEDALLION



FISH EYE MEDALLION

LINDR COLD BRIDGE

NUMBER OF TAPS 4 - 6 - 8



You no longer have to look for a compromise between design and cutting-edge technology, the LINDR COLD BRIDGE tower offers both.

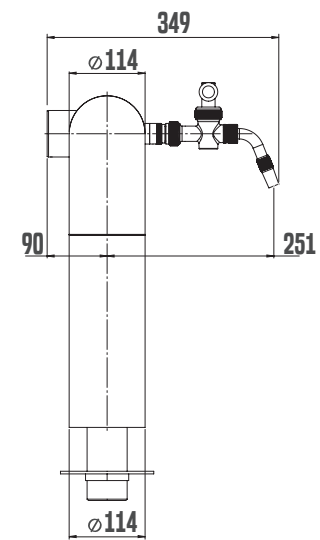
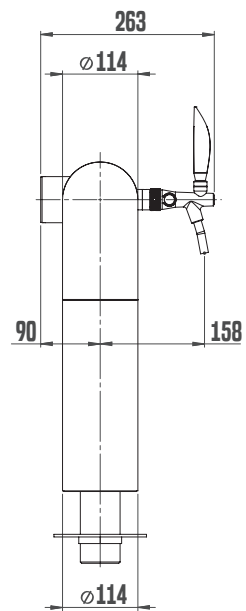
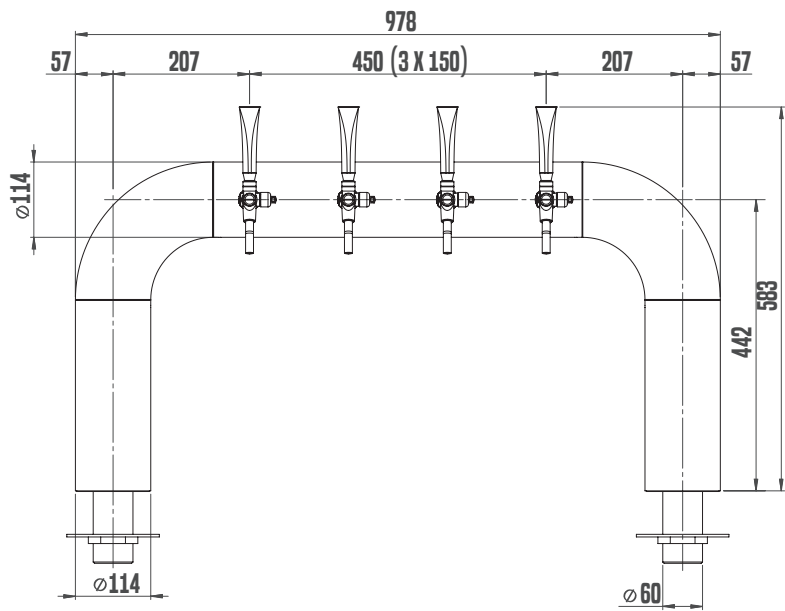
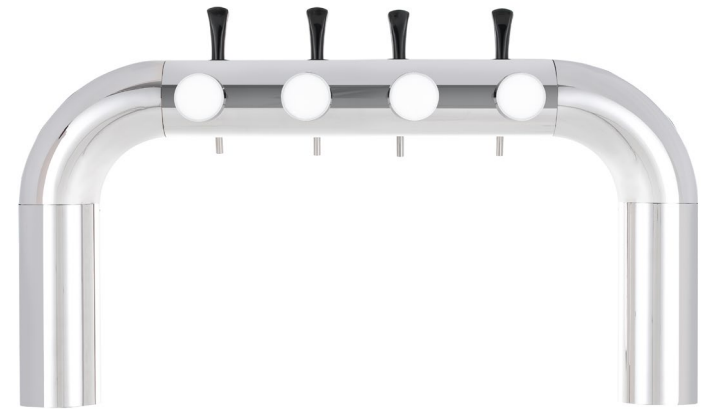
COLD BRIDGE U DISPENSE TOWER

Our latest line of LINDR COLD BRIDGE taps will captivate everyone at first sight. These towers are designed in the shapes the letter inverted U bring design and bring cleanliness without welds and unnecessary flanges. LINDR COLD BRIDGE towers are currently the best in the area of dispensing.

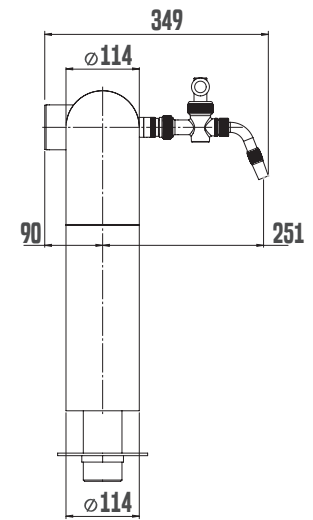
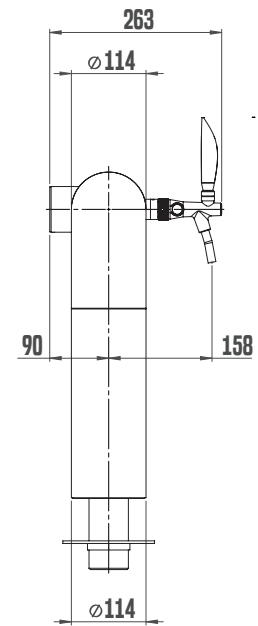
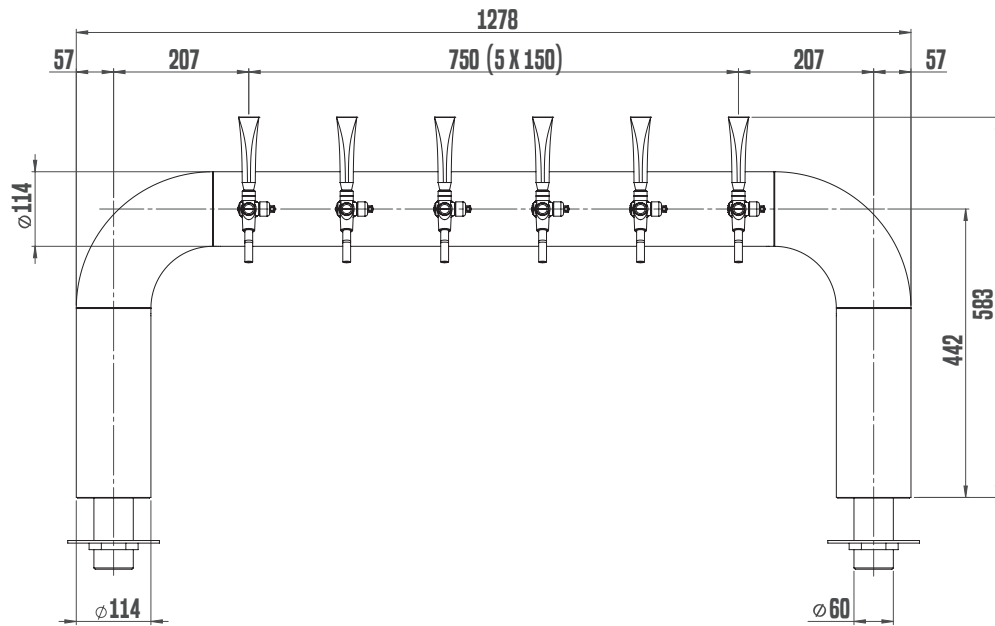


- ^ LINDR COLD BRIDGE TOWER
RECIRCULATION - Own design solution with perfect insulation.
- < PRESENTATION OPTIONS - Backlit medallions can be installed in a straight version or a fish eye variant.

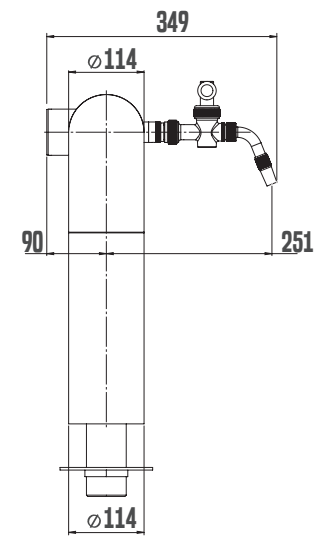
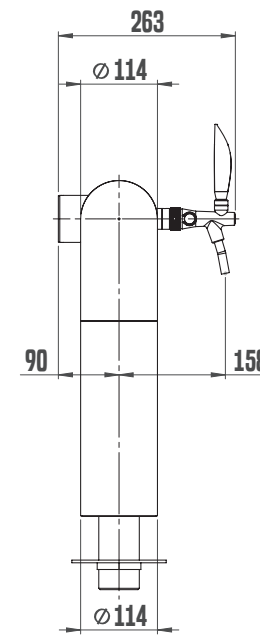
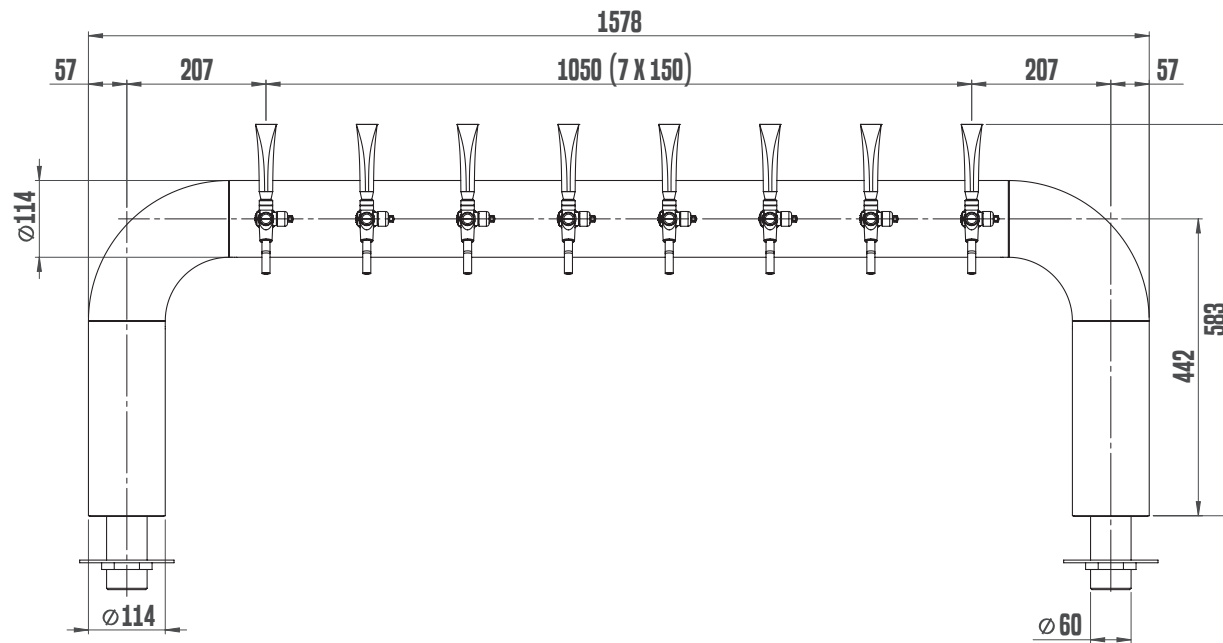
LINDR COLD BRIDGE U4 TOWER



LINDR COLD BRIDGE U6 TOWER



LINDR COLD BRIDGE U8 TOWER



TECHNICAL PARAMETERS

PRODUCT MODEL	LINDR COLD BRIDGE U4 TOWER	LINDR COLD BRIDGE U6 TOWER	LINDR COLD BRIDGE U8 TOWER
BASIC MEDALLION	YES	YES	YES
LINDR TAP	YES	YES	YES
MEDALLION Ø 69 MM	YES	YES	YES
CONNECTION - INPUT ST. STEEL TUBE 8MM WITH RECIRCULATION COIL RIGHT TO THE TAP	YES	YES	YES
NUMBER OF TAPS (PCS)	4	6	8
WEIGHT (KG)	12,0	18,5	20,5
COLOR DESIGN- POLISHED STAINLESS STEEL	YES	YES	YES
OPTIONAL ACCESSORIES	YES	YES	YES
ILLUMINATED MEDALLION	✓	✓	✓
WOODEN MEDALLION	✓	✓	✓
CHOICE OF MEDALLION Ø 82 MM	✓	✓	✓
CHOICE OF TAP	✓	✓	✓
CHOICE OF MEDALLION	X	X	X
CONNECTION - INLET 10 MM STAINLESS STEEL WITH RECIRCULATION COIL RIGHT TO THE TAP	✓	✓	✓
POSSIBLE CUSTOMIZED OPTIONS	YES	YES	YES
FISH EYE MEDALLION	✓	✓	✓
COLOR DESIGN ACCORDING TO RAL SAMPLES	X	X	X
COLORED DESIGN OF SANDBLASTING	✓	✓	✓

Note

We will be happy to inform you regarding custom modifications (contact us).



SANDBLASTED



STAINLESS STEEL



BASIC MEDALLION



ILLUMINATED MEDALLION



WOODEN MEDALLION



FISH EYE MEDALLION

NUMBER OF TAPS 4 - 6 - 8

COLD BRIDGE T, H



You no longer have to look for a compromise between design and cutting-edge technology, the LINDR COLD BRIDGE tower offers both.

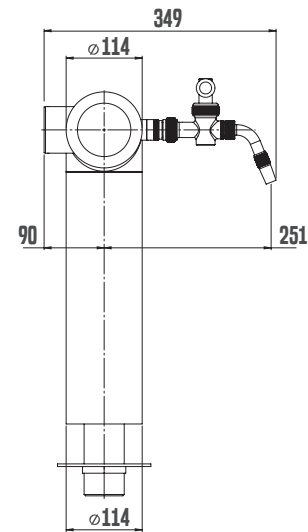
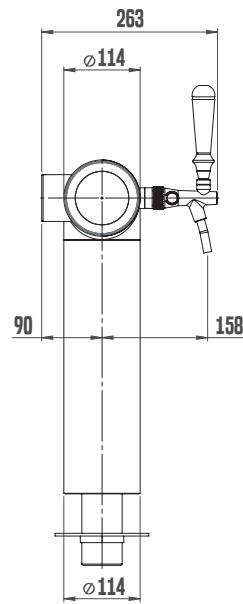
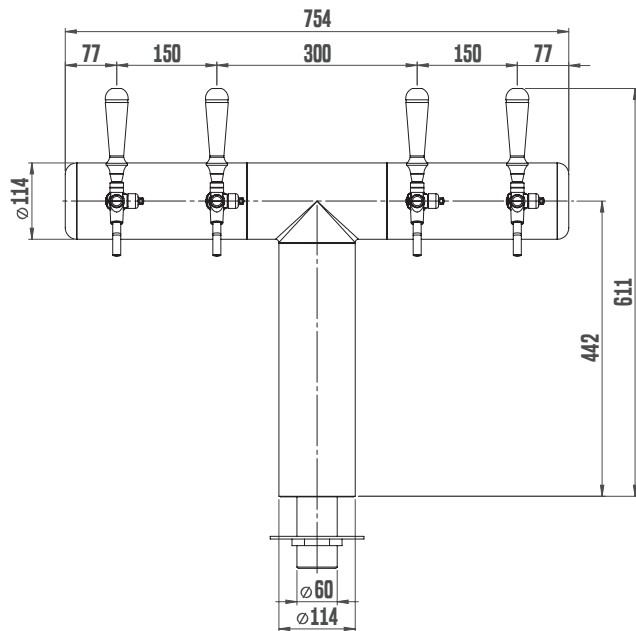
COLD BRIDGE T, H DISPENSE TOWERS

Our latest line of LINDR COLD BRIDGE taps will captivate everyone at first sight. These towers are designed in the shapes of letters T and H bring design and cleanliness without welds and unnecessary flanges. LINDR COLD BRIDGE towers are currently the best in the area of dispensing.

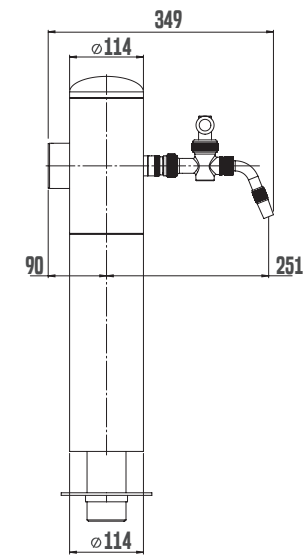
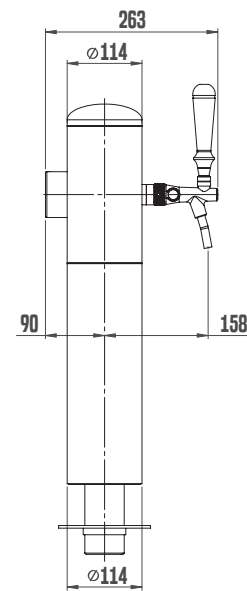
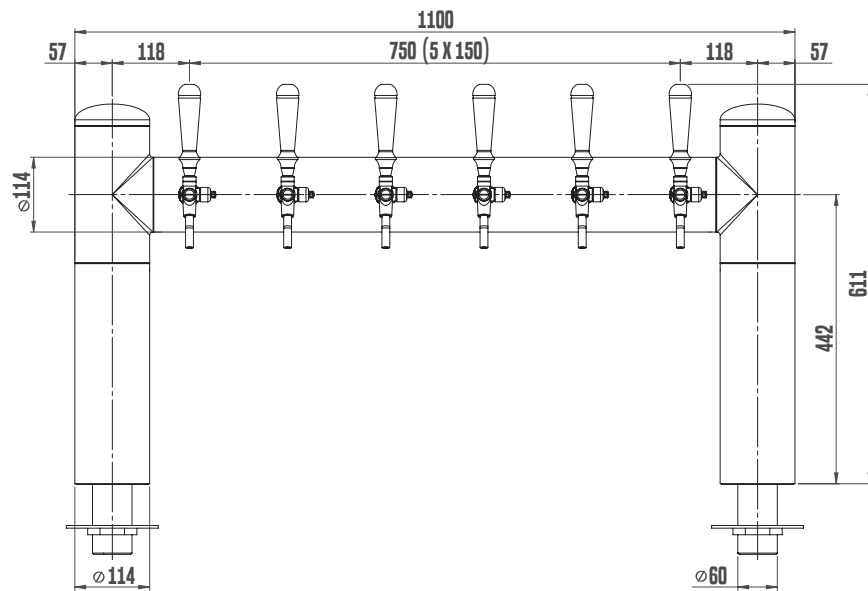


- ^ LINDR COLD BRIDGE T TOWERS
RECIRCULATION - The unique design of the tower ensures cooling of the beverage up to the tap via a fully insulated coil.
- < PRESENTATION OPTIONS - Backlit medallions can be installed in a straight version or a fish eye variant.
DESIGN - Massive, all-stainless steel construction without welds meets the strictest requirements for design purity. The surface treatment is possible in polished stainless steel or with sandblasting.
KEEPING CLEANLINESS - The stand has no flanges, making it easier to keep clean.

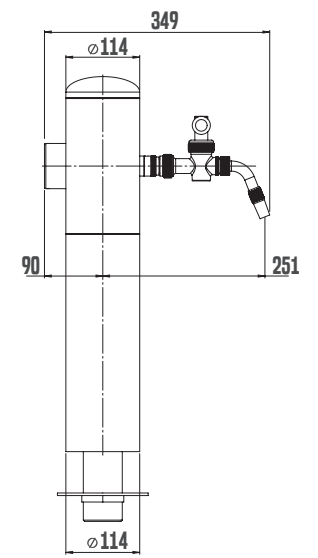
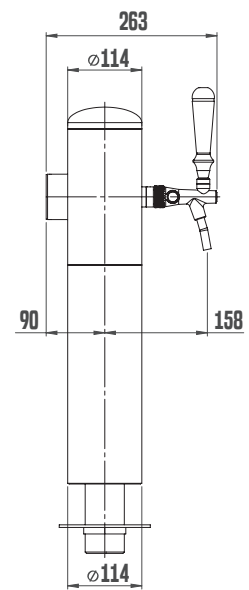
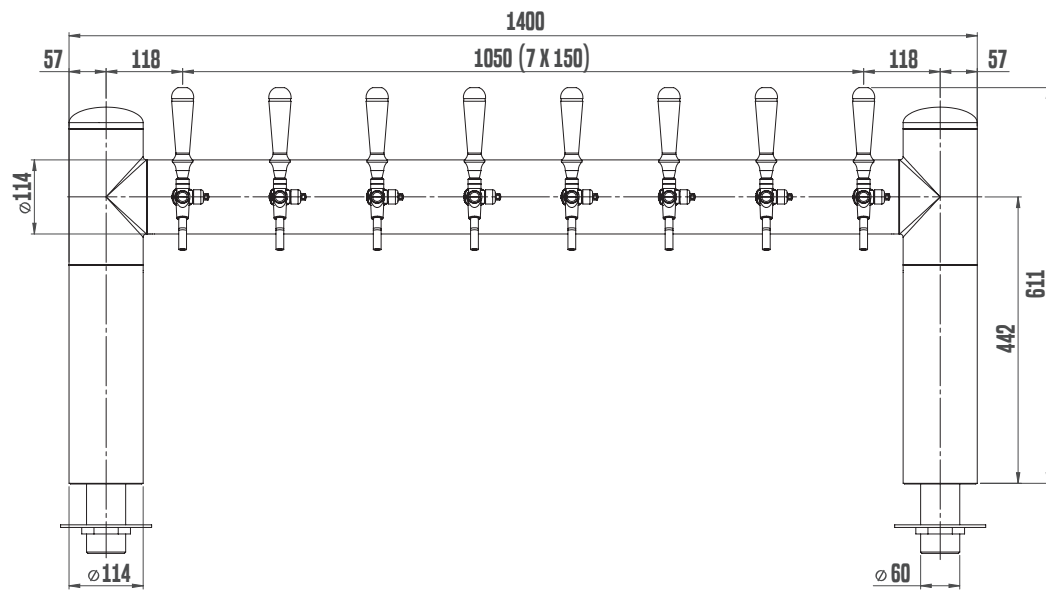
LINDR COLD BRIDGE T4 TOWER



LINDR COLD BRIDGE H6 TOWER



LINDR COLD BRIDGE H8 TOWER



TECHNICAL PARAMETERS

PRODUCT MODEL	LINDR COLD BRIDGE T4 TOWER	LINDR COLD BRIDGE H6 TOWER	LINDR COLD BRIDGE H8 TOWER
BASIC MEDALLION	YES	YES	YES
LINDR TAP	YES	YES	YES
MEDALLION Ø 69 MM	YES	YES	YES
CONNECTION - INPUT ST. STEEL TUBE 8MM WITH RECIRCULATION COIL RIGHT TO THE TAP	YES	YES	YES
NUMBER OF TAPS (PCS)	4	6	8
WEIGHT (KG)	12,0	18,5	20,5
COLOR DESIGN- POLISHED STAINLESS STEEL	YES	YES	YES
OPTIONAL ACCESSORIES	YES	YES	YES
ILLUMINATED MEDALLION	✓	✓	✓
WOODEN MEDALLION	✓	✓	✓
CHOICE OF MEDALLION Ø 82 MM	✓	✓	✓
CHOICE OF TAP	✓	✓	✓
CHOICE OF MEDALLION	X	X	X
CONNECTION - INLET 10 MM STAINLESS STEEL WITH RECIRCULATION COIL RIGHT TO THE TAP	✓	✓	✓
POSSIBLE CUSTOMIZED OPTIONS	YES	YES	YES
FISH EYE MEDALLION	✓	✓	✓
COLOR DESIGN ACCORDING TO RAL SAMPLES	X	X	X
COLORED DESIGN OF SANDBLASTING	✓	✓	✓

Note
We will be happy to inform you regarding custom modifications (contact us).



SANDBLASTED



STAINLESS
STEEL



BASIC MEDALLION



ILLUMINATED MEDALLION



WOODEN MEDALLION



FISH EYE MEDALLION

LINDR GRAND T

NUMBER OF TAPS 3 - 5



The LINDR GRAND dispense towers will become the dominant feature of every bar.

LINDR GRAND T DISPENSE TOWERS

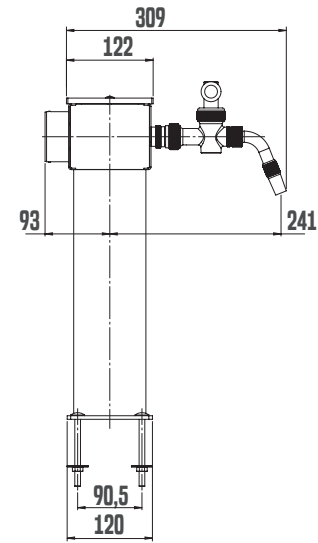
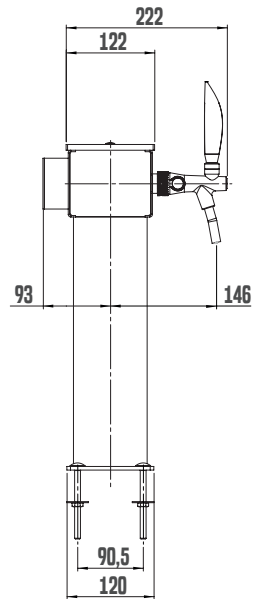
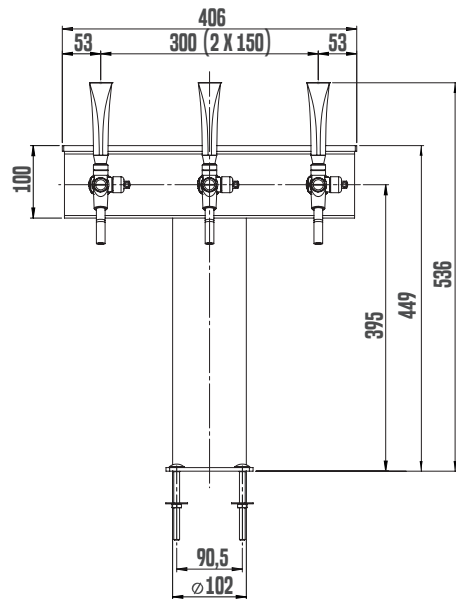
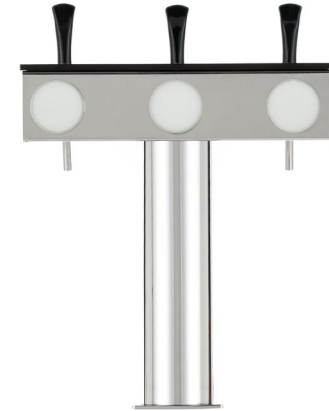
Lindr Grand dispense towers dominate the place where they are installed. They have three or five taps, all stainless steel, high-quality construction without welds and a wide range of modification options just like our other towers.



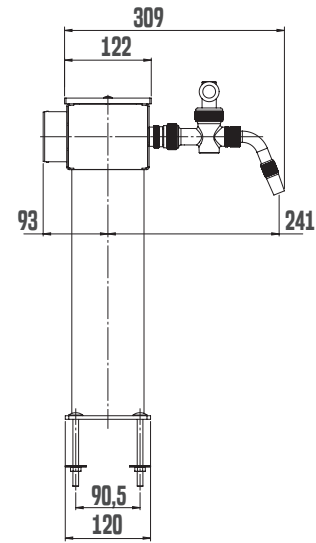
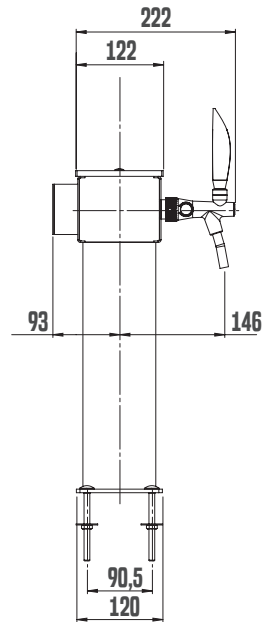
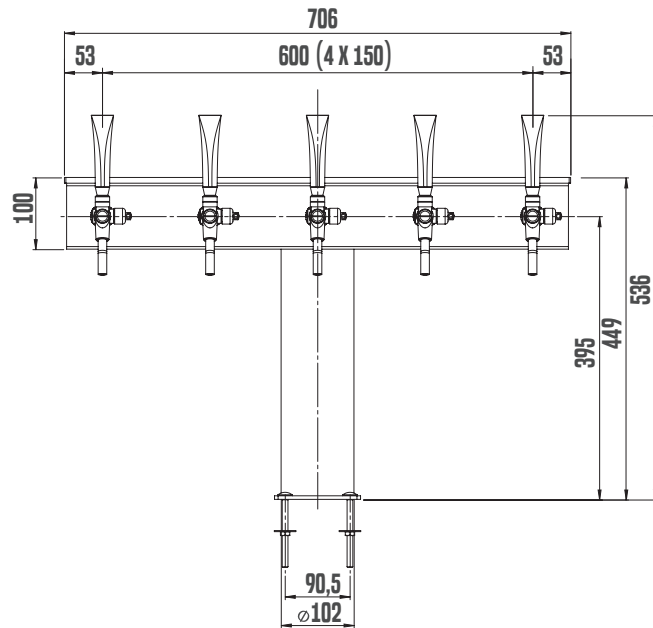
- < LINDR GRAND T3 TOWER
PRESENTATION OPTIONS - The models have an area for placing a wooden medallion or 3 backlit medallions with their own logo or beer brand. Medallions can also be placed on the tower.
- ✓ LINDR GRAND T5 TOWER
DESIGN ACCESSORIES - We offer the tower in countless variations with various surfaces (sandblasting, gloss) and materials (oak, polished hardened plastic), including tap handles.



LINDR GRAND T3 TOWER



LINDR GRAND T5 TOWER



TECHNICAL PARAMETERS

PRODUCT MODEL	STOJAN LINDR GRAND T3	STOJAN LINDR GRAND T5
BASIC MEDALLION	NO	NO
LINDR TAP	YES	YES
MEDALLION Ø 69 MM	YES	YES
CONNECTION - INPUT ST. STEEL TUBE 8MM WITH RECIRCULATION COIL RIGHT TO THE TAP	YES	YES
NUMBER OF TAPS (PCS)	3	5
WEIGHT (KG)	5,0	7,0
COLOR DESIGN- POLISHED STAINLESS STEEL	YES	YES
OPTIONAL ACCESSORIES	YES	YES
ILLUMINATED MEDALLION	✓	✓
WOODEN MEDALLION	✓	✓
CHOICE OF MEDALLION Ø 82 MM	✓	✓
CHOICE OF TAP	✓	✓
CHOICE OF MEDALLION	✓	✓
CONNECTION - INLET 10 MM STAINLESS STEEL WITH RECIRCULATION COIL RIGHT TO THE TAP	✓	✓
POSSIBLE CUSTOMIZED OPTIONS	YES	YES
FISH EYE MEDALLION	✓	✓
COLOR DESIGN ACCORDING TO RAL SAMPLES	X	X
COLORED DESIGN OF SANDBLASTING	✓	✓

Note

We will be happy to inform you regarding custom modifications (contact us).



SANDBLASTED



STAINLESS STEEL



ILLUMINATED MEDALLION



WOODEN MEDALLION



FISH EYE MEDALLION



MEDALLION

Minimalism. This is how the LINDR TUBE dispensing tower could be characterized in one word.

LINDR TUBE DISPENSE TOWER

We only left the absolutely necessary components on it. It is suitable where there is really little space, but at the same time, thanks to the all-stainless steel design without welds and clean lines, it is one of the sleek design towers.



^ LINDR TUBE TOWER

STAINLESS STEEL VERSION - The entire construction of the tower is in stainless steel. As a result, these are not as easily damaged as with surface-treated brass towers and last longer.

< LINDR TUBE TOWERS

PRESENTATION OPTIONS - The models have an area for placing a wooden medallion or backlit advertising.

LINDR TUBE

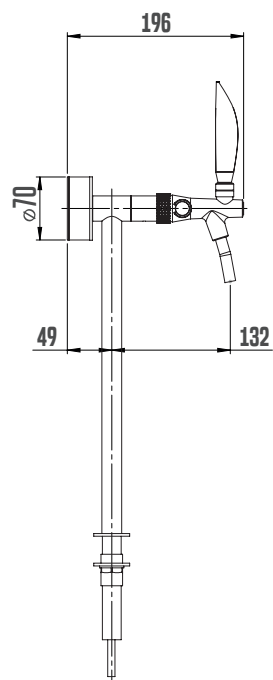
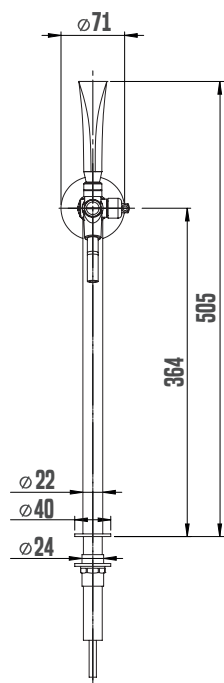
NUMBER OF TAPS 1



All models are completely in all-stainless steel, subtle design with one tap. The surface treatment is possible in the polished stainless steel or sandblasting.



LINDR TUBE TOWER



TECHNICAL PARAMETERS

PRODUCT MODEL	LINDR TUBE TOWER
BASIC MEDALLION	NO
LINDR TAP	YES
MEDALLION Ø 69 MM	YES
CONNECTION - INPUT ST. STEEL TUBE 8MM	YES
NUMBER OF TAPS (PCS)	1
WEIGHT (KG)	2,0
COLOR DESIGN- POLISHED STAINLESS STEEL	YES

OPTIONAL ACCESSORIES	YES
ILLUMINATED MEDALLION	✓
WOODEN MEDALLION	✓
CHOICE OF MEDALLION Ø 82 MM	X
CHOICE OF TAP	✓
CHOICE OF MEDALLION	X
CONNECTION - INLET 10 MM STAINLESS STEEL WITH RECIRCULATION COIL RIGHT TO THE TAP	X

POSSIBLE CUSTOMIZED OPTIONS	YES
FISH EYE MEDALLION	✓
COLOR DESIGN ACCORDING TO RAL SAMPLES	X
COLOR DESIGN OF SANDBLASTING	✓

Note
We will be happy to inform you regarding custom modifications (contact us).



WOODEN MEDALLION



ILLUMINATED MEDALLION



FISH EYE MEDALLION



MEDALLION HOLDER

LINDR T

NUMBER OF TAPS 2 - 3 - 4 - 5 - 6 - 8 - 10



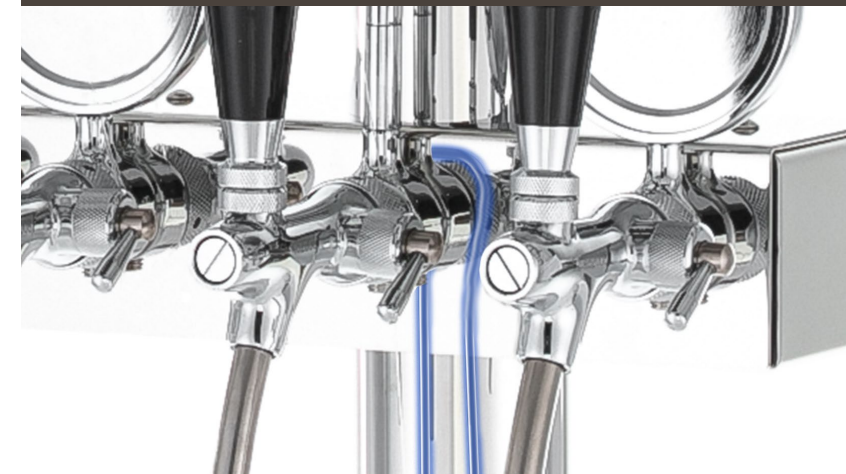
The LINDR T dispensing tower with two taps is part of the very first comprehensive line of dispensing towers we have designed.

LINDR T2-T10 DISPENSE TOWERS

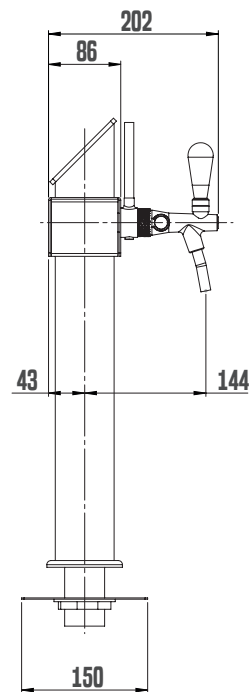
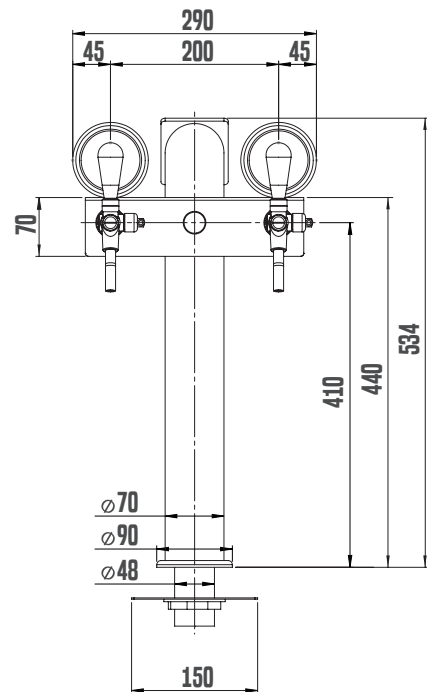
These towers offer the greatest flexibility in the number of used taps - from two to ten. Their appearance meets our high standards, whether it is a stainless steel design without welds or a high variability of accessories.



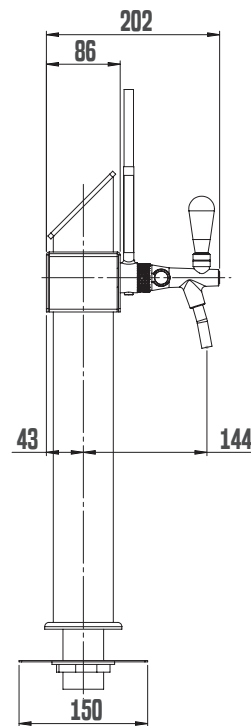
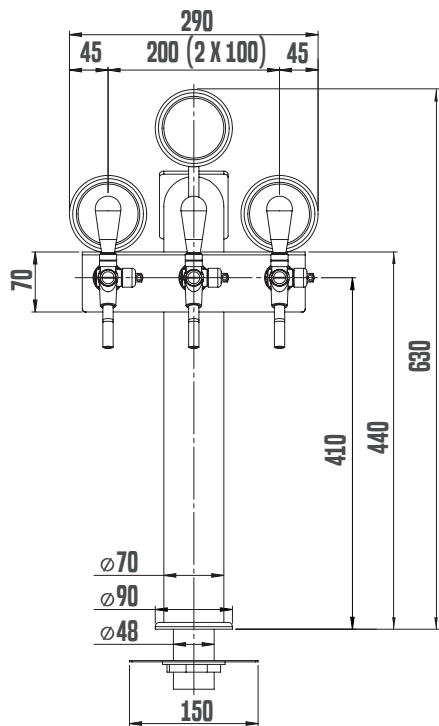
- < LINDR T TOWER
PRESENTATION POSSIBILITIES - Illuminated advertising placed on the central stand for the presentation of the brewery and the possibility of medallions for the presentation of the type of beverage.
- ∨ RECIRCULATION - Simple recirculation coil.



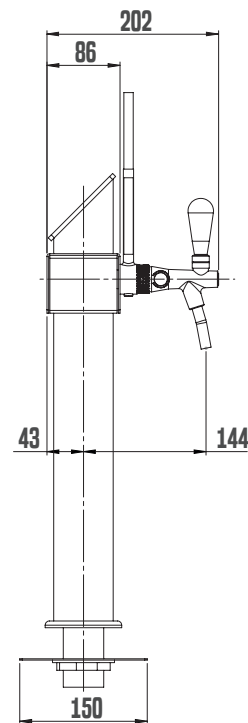
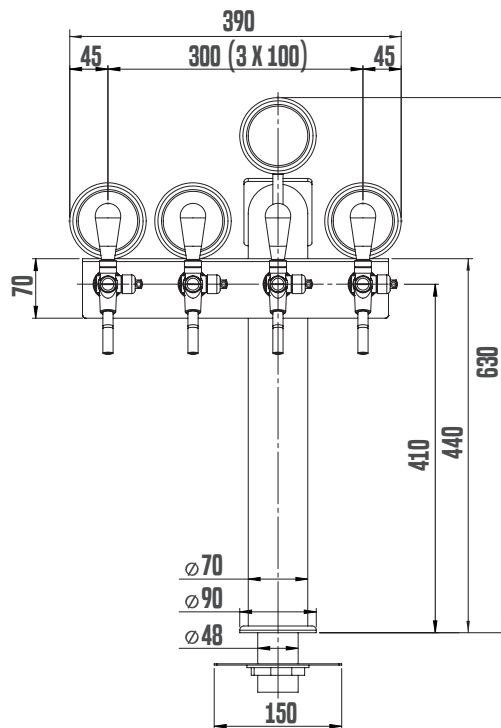
LINDR T 2X TAP TOWER



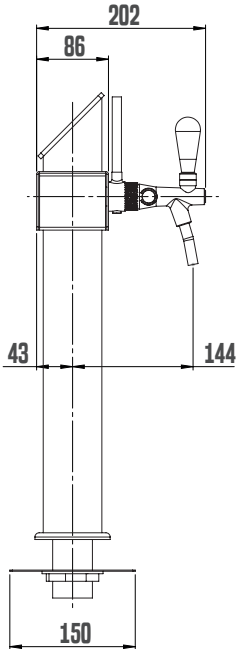
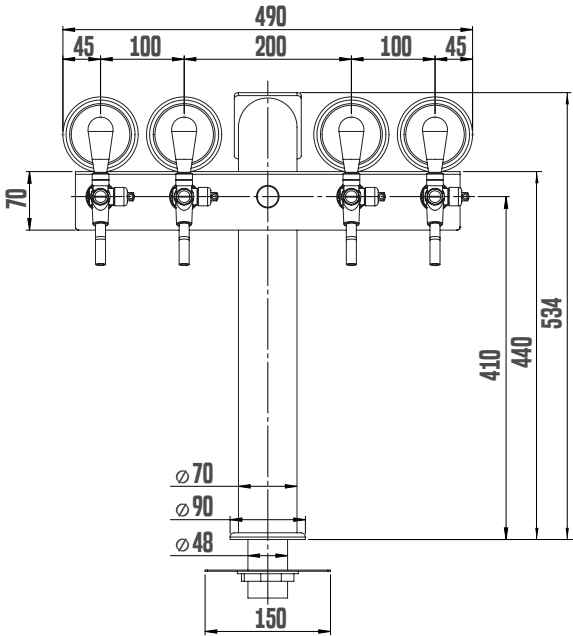
LINDR T 3X TAP TOWER



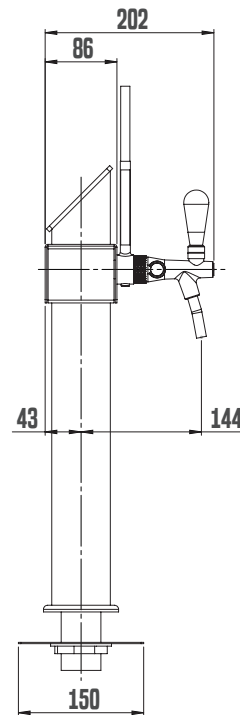
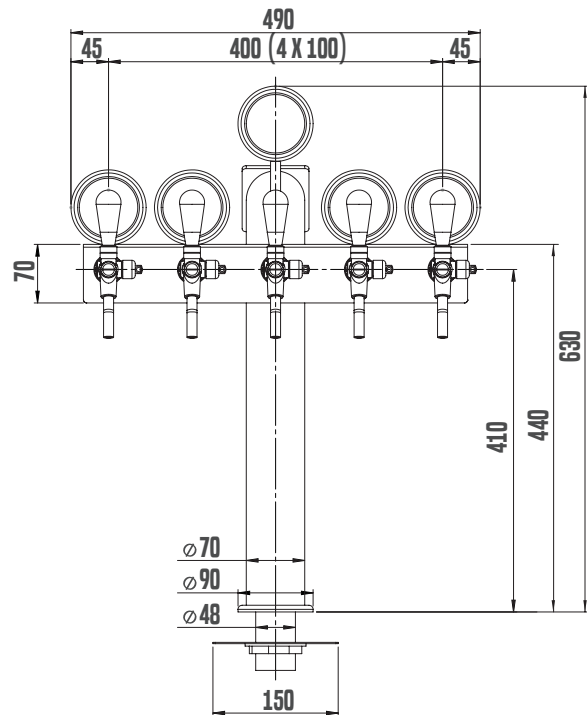
LINDR T 4X TAP TOWER



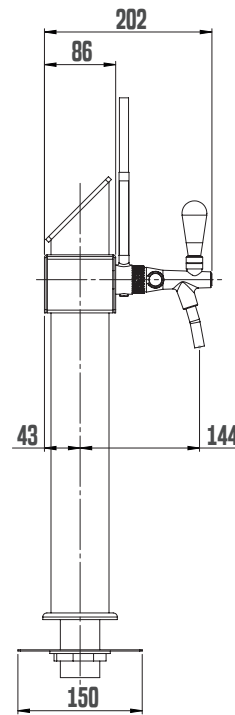
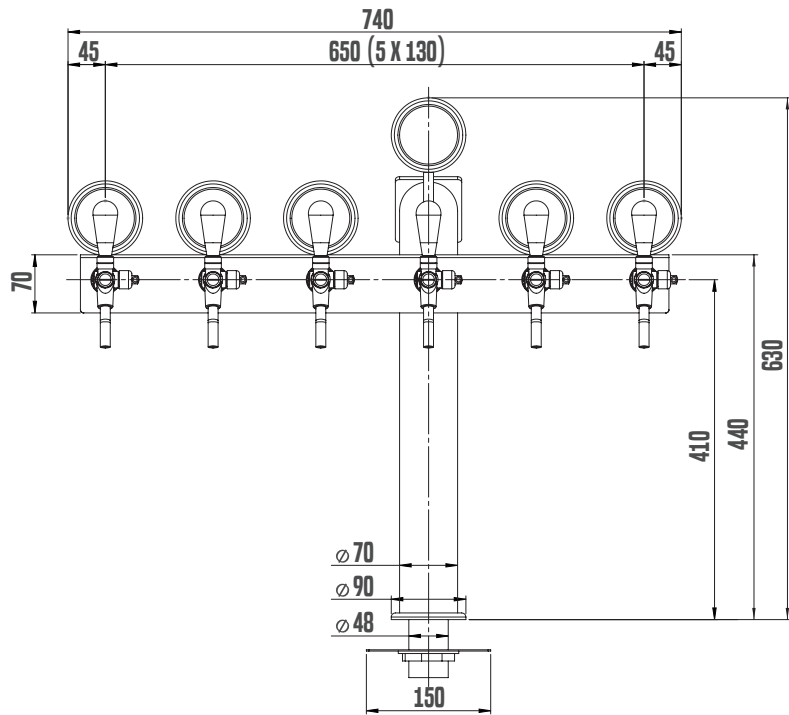
LINDR T 4X TAP TOWER (BODY T5)



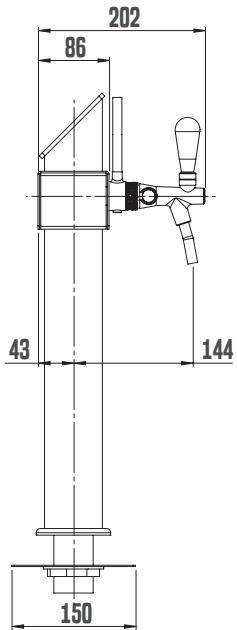
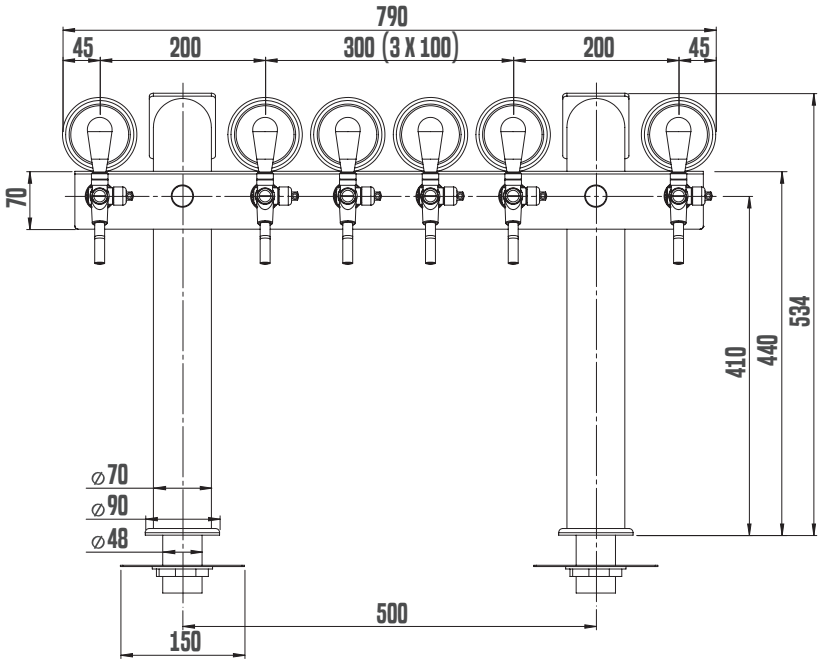
LINDR T 5X TAP TOWER



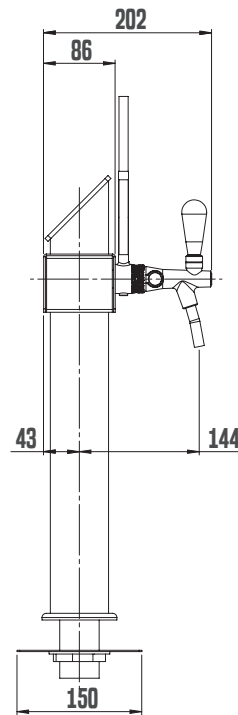
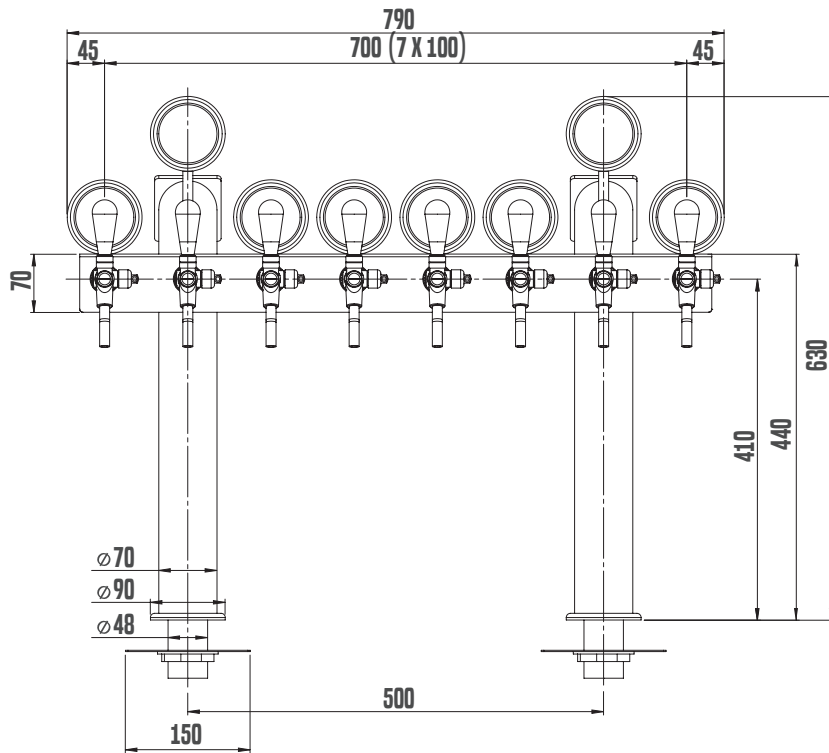
LINDR T 6X TAP TOWER



LINDR T 6X TAP TOWER (BODY T8)



LINDR T 8X TAP TOWER



TECHNICAL PARAMETERS

PRODUCT MODEL	LINDR T TOWER 2X TAP	LINDR T TOWER 3X TAP	LINDR T TOWER 4X TAP	LINDR T TOWER 4X TAP	LINDR T TOWER 5X TAP	LINDR T TOWER 6X TAP	LINDR T TOWER 6X TAP	LINDR T TOWER 8X TAP	LINDR T TOWER 10X TAP
ILLUMINATED ADVERTISING	YES	YES	YES	YES	YES	YES	YES	YES	YES
CONNECTION - INLET 8 MM STAINLESS STEEL INLET WITH RECIRCULATION COIL RIGHT TO THE TAP	YES	YES	YES	YES	YES	YES	YES	YES	YES
NUMBER OF TAPS (PCS)	2	3	4	4	5	6	6	8	10
WEIGHT (KG)	6,0	7,0	8,9	9,7	10,9	13,2	15,5	18,0	21,0
COLOR DESIGN- POLISHED STAINLESS STEEL	YES	YES	YES	YES	YES	YES	YES	YES	YES
OPTIONAL ACCESSORIES	YES	YES	YES	YES	YES	YES	YES	YES	YES
COLOR DESIGN PVD GOLD	✓	✓	✓	✓	✓	X	X	X	X
CHOICE OF TAP	X	X	X	X	X	X	X	X	X
CHOICE OF MEDALLION	✓	✓	✓	✓	✓	✓	✓	✓	✓
CONNECTION - INLET 10 MM STAINLESS STEEL INLET WITH RECIRCULATION COIL RIGHT TO THE TAP	✓	✓	✓	✓	✓	✓	✓	✓	✓
POSSIBLE CUSTOMIZED OPTIONS	YES	YES	YES	YES	YES	YES	YES	YES	YES
COLOR DESIGN ACCORDING TO RAL SAMPLES	X	X	X	X	X	X	X	X	X
COLORED DESIGN OF SANDBLASTING	✓	✓	✓	✓	✓	✓	✓	✓	✓

Note

We will be happy to inform you regarding custom modifications (contact us).



SANDBLASTED



STAINLESS
STEEL



PVD GOLD



ILLUMINATED ADVERTISING



MEDALLION

The exclusive combination of stainless steel and real oak wood created the LINDR SOUDEK dispensing tower.

LINDR SOUDEK DISPENSE TOWER

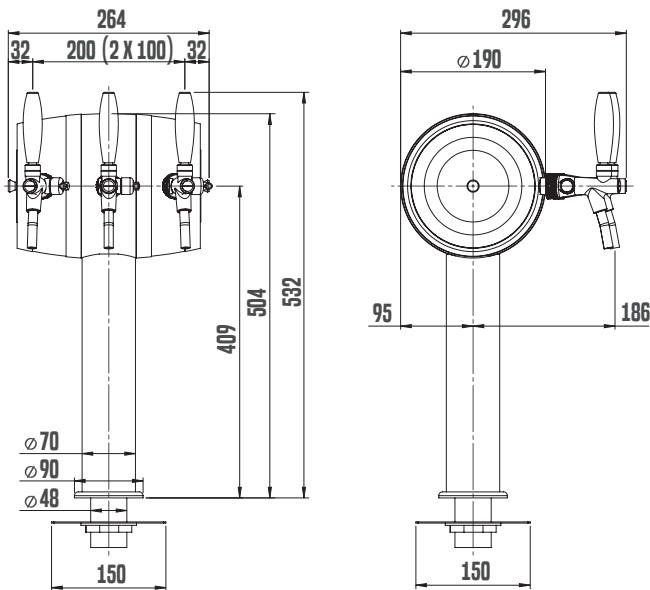
The exclusive combination of stainless steel and real oak wood created the LINDR SOUDEK dispensing tower, which is based on the construction of the LINDR T stand. It is suitable not only for dispensing beer, but it is intended primarily for winemakers. They will appreciate not only its appearance, but also its installation with all-stainless steel taps.



- < LINDR SOUDEK 3x TAP TOWER
DESIGN - Real oak wood in combination with stainless steel or other surface treatment.
- ✓ LINDR SOUDEK TOWER
BEVERAGE LINE - Beverage line connection 8 mm, stainless steel.



LINDR SOUDEK TOWER



TECHNICAL PARAMETERS

PRODUCT MODEL	SOUDEK TOWER 1X TAP	SOUDEK TOWER 2X TAP	SOUDEK TOWER 3X TAP
ILLUMINATED ADVERTISING	NO	NO	NO
CONNECTION - INPUT 8 MM STAINLESS STEEL INLET WITH COOLING COIL	YES	YES	YES
NUMBER OF TAPS (PCS)	1	2	3
WEIGHT (KG)	4,9	5,3	6,2
COLOR DESIGN- POLISHED STAINLESS STEEL	YES	YES	YES

OPTIONAL ACCESSORIES	YES	YES	YES
COLOR DESIGN PVD GOLD	✓	✓	✓
CHOICE OF TAP	X	X	X
CHOICE OF MEDALLION	X	X	X
CONNECTION - INLET 10 MM STAINLESS STEEL INLET WITH RECIRCULATION COIL RIGHT TO THE TAP	X	X	X

POSSIBLE CUSTOMIZED OPTIONS	YES	YES	YES
COLOR DESIGN ACCORDING TO RAL SAMPLES	X	X	X
COLOR DESIGN OF SANDBLASTING	✓	✓	✓

Note

We will be happy to inform you regarding custom modifications (contact us).



OTHER PRODUCTS



QUALITY INNOVATION PERFORMANCE DESIGN

Accessories and other components for dispensing equipment, which are necessary or improve its use. Other products include dispensing heads for beer kegs, taps, hoses, air compressors and connecting material.



LINDR DISPENSE TAPS

The DISPENSE TAP is the end element of the dispense machine. It's a part of the dispenser designed to regulate foam and beer flow. Dispense taps are manufactured in various shapes and designs.

- SANDBLASTED
- STAINLESS STEEL
- PVD GOLD

DISPENSE TAP CHROME PLATED WITH COMPENSATOR



- ✓ **SPECIFICATION**
- Stainless steel spout
- With LINDR logo
- Screw connection length 35, 55, 65 mm
- Thread 5/8"



BLACK PLASTIC HANDLE

DISPENSE TAP PVD PLATED WITH COMPENSATOR



- ✓ **SPECIFICATION**
- Stainless steel spout
- With LINDR logo
- Screw connection length 35, 55 mm
- Thread 5/8"



ERGO HANDLE

DISPENSE TAP STAINLESS STEEL TAP WITH COMPENSATOR



- ✓ **SPECIFICATION**
- Stainless steel spout
- With LINDR logo
- Screw connection length 35, 55 mm
- Thread 5/8"



SOUDEK HANDLE



35MM



55MM



65MM



DARK OAK HANDLE BROWN

LINDR DISPENSE GUNS

✓ SPECIFICATION

Chrome surface with compensator

2m tube

2m insulation

✓ RECOMMENDED ACCESSORIES

JG F5/8 x 9,5 mm

Sanitation adapter for Lindr 5/8 beer taps



LINDR DISPENSE GUNS

The DISPENSING GUNS for serving beer or soda water into cups on various events. Simple to install and use. Connect to PYGMY or KONTAKT dispensing systems.

Guns include a 2 m tube and 2 m insulation.



CHROME



DISPENSE HEADS LINDR

The DISPENSE HEAD serves to dispense beer from kegs. We use several types of dispensing heads. S-type head, A-type, M-type, G-type, KEY-KEG.



BRASS



DISPENSE HEAD LINDR S-TYPE

✓ **SPECIFICATION**

Brass body
Stainless steel probe
Thread of 2 x 5/8"



DISPENSE HEAD LINDR A-TYPE

✓ **SPECIFICATION**

Brass body
Stainless steel probe
Thread of 2 x 5/8"



DISPENSE HEAD LINDR M-TYPE

✓ **SPECIFICATION**

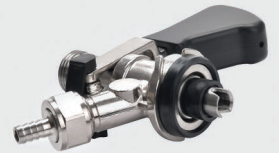
Brass body
Stainless steel probe
Thread of 2 x 5/8"



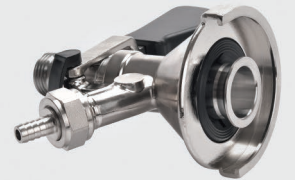
DISPENSE HEAD LINDR G-TYPE

✓ **SPECIFICATION**

Brass body
Stainless steel probe
Thread of 2 x 5/8"



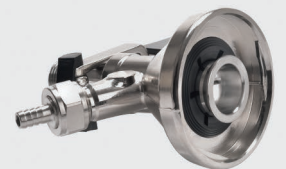
S-TYP



A-TYP



M-TYP



G-TYP

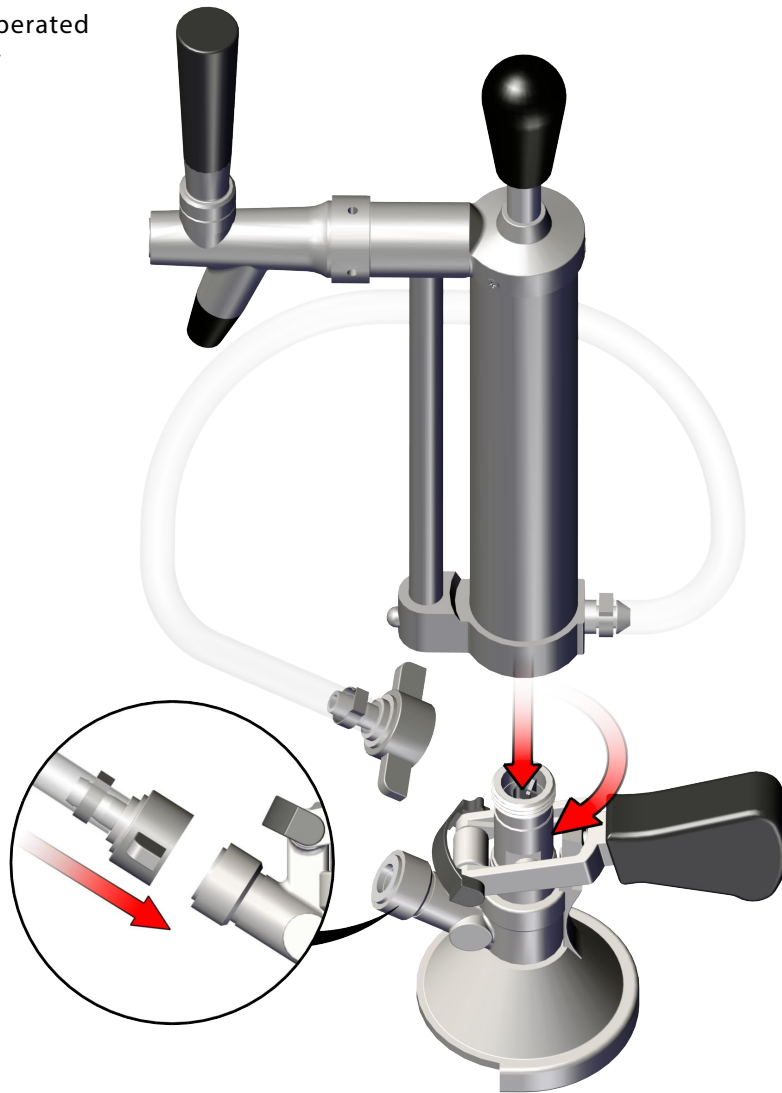
THE BEER PARTY PUMP

✓ SPECIFICATION

Brass body

Manually operated

Thread 5/8"

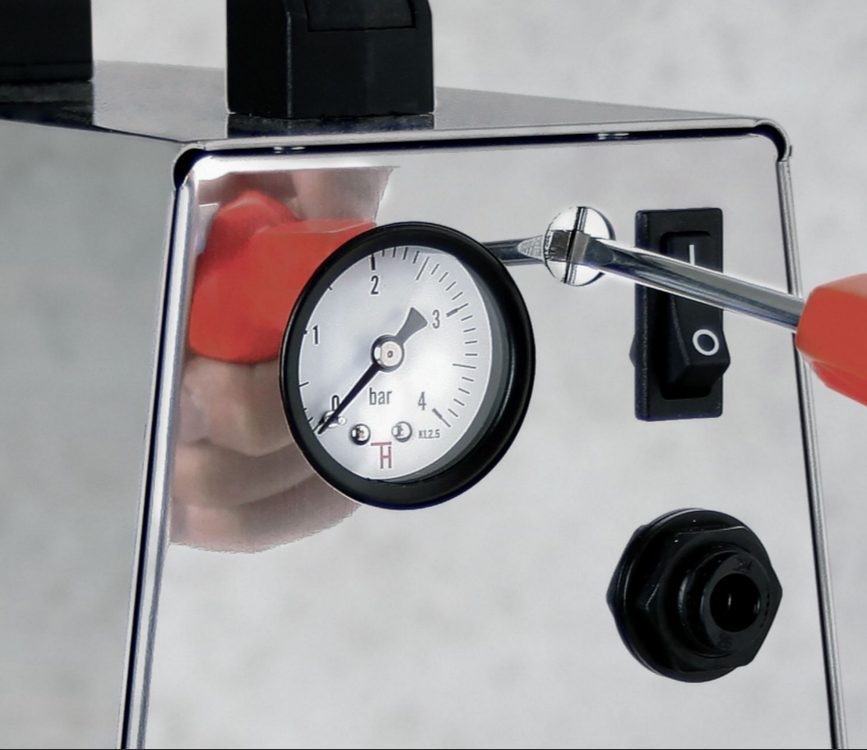


THE BEER PARTY PUMP

The BEER PARTY PUMP is a mobile beverage dispensing solution intended for dispensing from the kegs. Party pumps are mostly used where there is no access to electricity or in places with low ambient temperature, where beer does not need to be chilled. The party pump is screwed directly onto the dispense head.



BRASS



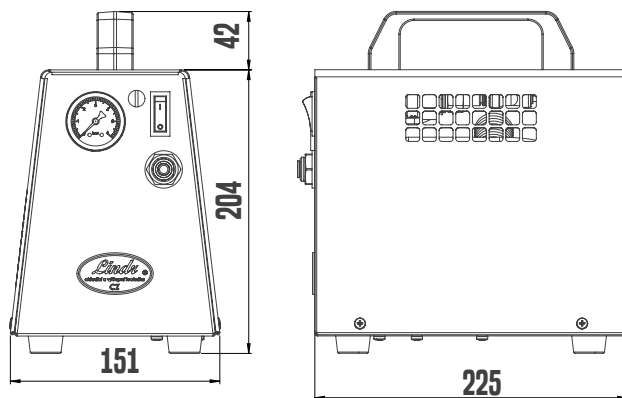
LINDR VK 15, 30 MINI COMPRESSOR

Structurally unique and reliable compressor with surprising amount of power. Very small size and low weight enables easy handling and use. Smooth pressure regulation and simple connection is ensured via a JG fitting. Molecule filter on the input guarantees entry of clean air.

- ^ PRESSURE REGULATION - The VK 15, 30 model is equipped with a regulator with a manometer to set the optimal working pressure for different types of drinks.
- v COMFORTABLY PORTABLE - Easy and safe handling of the system thanks to the small size and a handle on top.

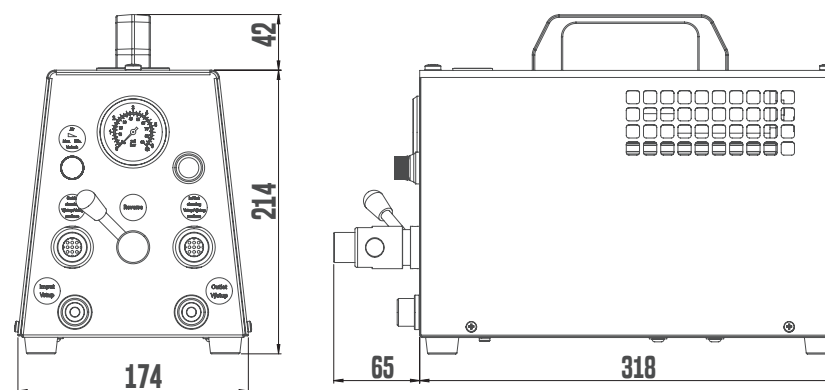


LINDR VK 15, 30 MINI COMPRESSOR



PRODUCT MODEL	VK 15	VK 30
AIR COMPRESSOR PRESSURE (BAR)	REGULATION 1,0 - 3,4	REGULATION 1,0 - 4,2
NET WEIGHT (KG)	4,50	4,50

LINDR SP PROFI SANITIZING MACHINE



POWER (W)	414
AMPERAGE (A)	1,80
NET WEIGHT (KG)	11,5
VOLTAGE (V)	220-240V 50HZ-1



SANITAZING AND CLEANING OF BEER TUBING - is necessary for properly draughted beer. We recommend flushing and cleaning your dispensing system regularly. Within just a few hours, bacteria can turn beer undrinkable and ruin your beer event.

LINDR SP PROFI SANITIZING MACHINE

LINDR SP SANITIZING MACHINES are designed for cleaning beverage tubing and hoses. They are capable of controlled air suction and reversing the direction of flow of the cleaning solution or water. The materials used meet the strictest hygienic standards and guarantee long service life of this machine.

^ REVERSE VALVE - Sanitizing machine is equipped with reverse valve for optimal cleaning beverage lines with chemical solution and sanitation sponge.

STAINLESS
STEEL



✓ **SPECIFICATION**

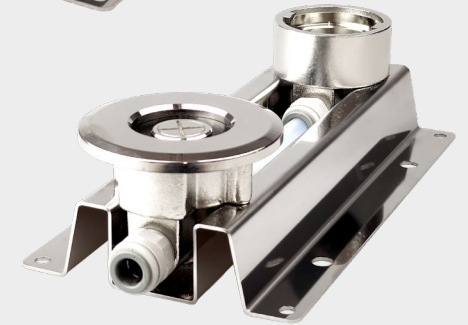
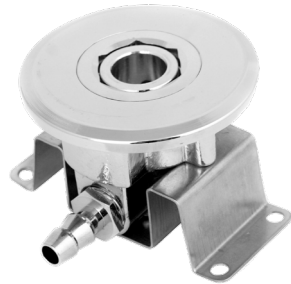
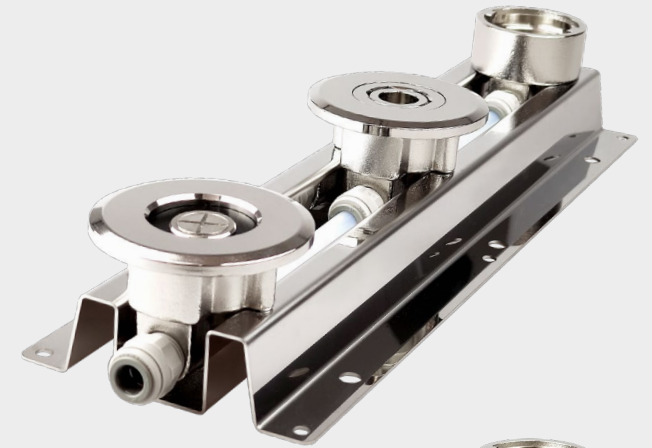
For rinsing with water pressure

Brass body

Connection 1/2" tube

✓ **TYPE OF SANITIZING ADAPTERS**

S-typ, A-typ, M-typ, G-typ, KEY-KEG



SANITIZING ADAPTERS

Sanitizing adapters are used for water pressure cleaning. They differ in the type of heads, similar to dispense heads. Useful for basic sanitation.





LINDR 5L KEG FILLER

The LINDR 5L KEG FILLER is designed for simple 5l beer keg filling and is not intended for commercial use.

✓ SPECIFICATION

Adapter – body of barrel

JG tap 9.5 mm

Metal screwings 5/8

Sealing for 5l keg adapter



LINDR FILLER FOR KEGS

The LINDR KEG FILLER is designed for simple beer keg filling and is intended for a small commercial use.

✓ SPECIFICATION

Stainless steel dispense head DSI

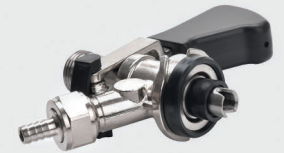
Thread 3 x 5/8

3x ball tap

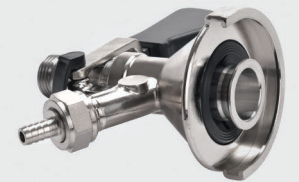
Manometer



TYPES OF DISPENSE HEADS



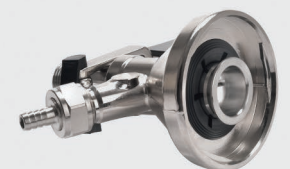
S-TYP



A-TYP



M-TYP



G-TYP

WE ARE A LEADING CZECH MANUFACTURER OF COOLING AND DISPENSING EQUIPMENT

Our production program includes a wide range of cooling and dispensing equipment. We sell them both at home, in the Czech Republic and in more than hundred countries around the world. However, we still remain true to the vision of a family company with purely Czech capital, which paves the way with its own original products that are unique both in terms of technical parameters and unmistakable design.

At present, we provide our production, administration, trade and logistics from two sites - the original Sadová plant and the newly built Dohalice production plant.



CERTIFICATION & QUALITY GUARANTEE

We are very well aware of the quality of Czech beer and the deep roots of Czech beer culture. In order to best present both together with our products around the world, we use only certified materials and raw materials that meet the highest requirements of hygiene and CE standards, which guarantee the highest possible quality, reliability, longevity and lasting value.

We certify our products at the Engineering Testing Institute according to certification cULus intended for markets in the USA and Canada. We hold the NSF hygiene certificate, which is a basic requirement for the sale of products on the US and Canadian markets.



LINDR.CZ, s.r.o.
COOLING AND DISPENSING SYSTEMS
+420 495 447 239
info@lindr.cz
www.lindr.cz
Sadová 132, CZ 503 15 Nechanice
CZECH REPUBLIC

CONTACT